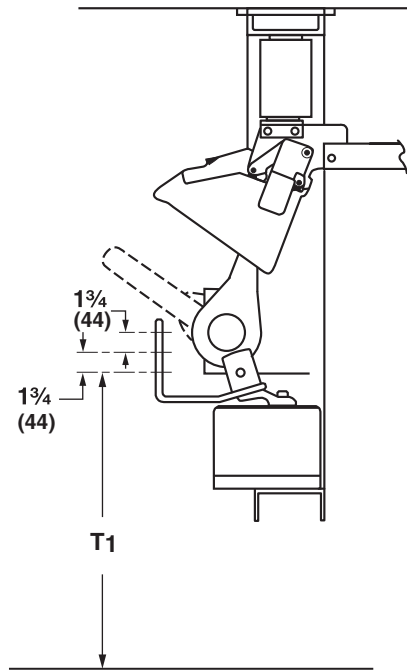
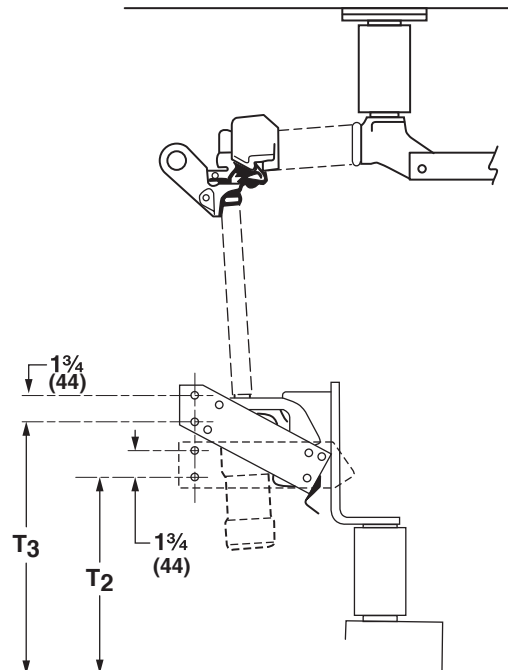


**Without Optional Cable Guides**

Inches (mm)



**Switch compartment  
(option "-M2" illustrated)**



**Fuse compartment  
(option "-M3" illustrated)**

**Table 1. Without Optional Cable Guides, Ratings and Dimensions**

Rating, kV			Dimensions in Inches (mm)★		
Nom.	Max <sup>①</sup>	BIL	T <sub>1</sub>	T <sub>2</sub> ◆	T <sub>3</sub> ◆
14.4	17.0	95	16 (406)	12 <sup>5</sup> / <sub>8</sub> (321)	17 <sup>1</sup> / <sub>4</sub> (438)
25	27▲	125	25 <sup>3</sup> / <sub>4</sub> (654)	18 <sup>7</sup> / <sub>8</sub> (479)	23 <sup>1</sup> / <sub>2</sub> (597)

① Maximum rating may be lower when current-limiting fuses are used. Consult appropriate current-limiting fuse manufacturer for complete fuse ratings.

★ For models equipped with optional base spacers, increase cable-termination height by height of respective base spacer. For models equipped with optional cable guides, suffixes "-M2" or "-M3," refer to page 2.

◆ Dimensions shown for models rated 14.4 kV apply to units equipped with SML-20 or SML-4Z mountings; add 1<sup>1</sup>/<sub>8</sub> inches (35mm) if equipped with Fault Fiter® Electronic Power Fuse mountings. Dimensions shown for models rated 25 kV, apply to units with SML-20 mountings; deduct <sup>3</sup>/<sub>4</sub> inch (19 mm) if equipped with SML-4Z mountings or deduct 2<sup>1</sup>/<sub>2</sub> inches (64 mm) if equipped with Fault Fiter Electronic Power Fuse mountings.

▲ Maximum ratings for models equipped with Fault Fiter Electronic Power Fuse mountings is 29 kV.



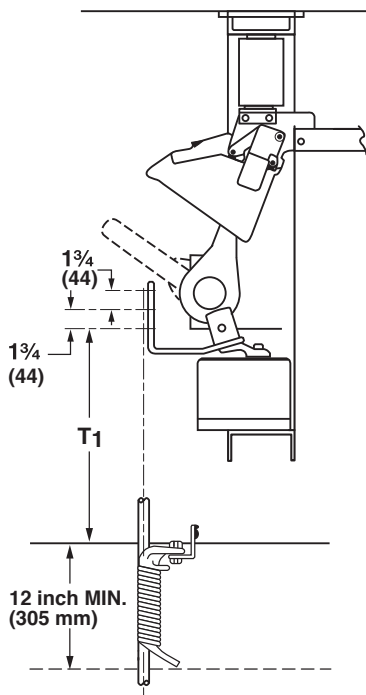
Supersedes Data Sheet 663A-50 dated March 9, 1992

February 5, 2018

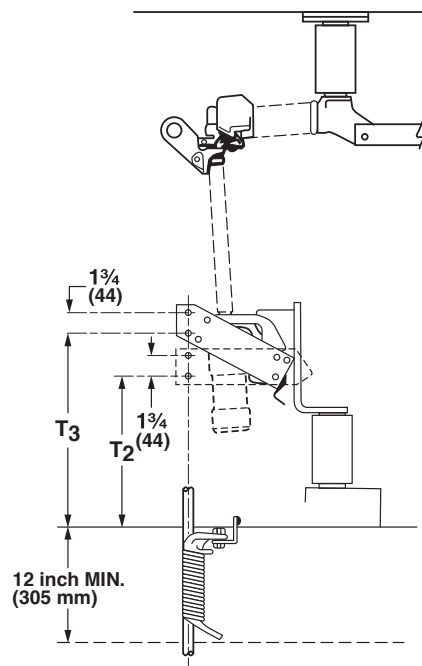
© S&C Electric Company 1992-2018, all rights reserved

## With Optional Cable Guides★

(Inches (mm))



**Switch compartment  
(option "-M2" illustrated)**



**Fuse compartment  
(option "-M3" illustrated)**

★ These devices extend below the base of the unit. Provide a cable pit, or specify a base spacer that provides a 12-inch (305-mm) or greater increase in elevation of ungrounded parts above the mounting pad.

**Table 2. With Optional Cable Guides, Ratings and Dimensions**

Nom.	Rating, kV		Dimensions in Inches (mm)		
	Max <sup>①</sup>	BIL	T <sub>1</sub>	T <sub>2</sub> ◆	T <sub>3</sub> ◆
14.4	17.0	95	16 (406)	12 <sup>5</sup> / <sub>8</sub> (321)	17 <sup>1</sup> / <sub>4</sub> (438)
25	27▲	125	25 <sup>3</sup> / <sub>4</sub> (603)	18 <sup>7</sup> / <sub>8</sub> (479)	23 <sup>1</sup> / <sub>2</sub> (597)

① Maximum rating may be lower when current-limiting fuses are used. Consult appropriate current-limiting fuse manufacturer for complete fuse ratings.

◆ Dimensions shown for models rated 14.4 kV apply to units equipped with SML-20 or SML-4Z Mountings; add 1<sup>3</sup>/<sub>8</sub> inches (35 mm) if equipped with Fault Fiter® Electronic Power Fuse mountings. Dimensions shown for models rated

25 kV apply to units with SML-20 mountings; deduct <sup>3</sup>/<sub>4</sub> inch (19 mm) if equipped with SML-4Z mountings or deduct 2<sup>1</sup>/<sub>2</sub> (64 mm) inches if equipped with Fault Fiter Electronic Power Fuse mountings.

▲ Maximum ratings for models equipped with Fault Fiter Electronic Power Fuse mountings is 29 kV.