

Specifications

Conditions of Sale

STANDARD: The seller's standard conditions of sale as set forth in Price Sheet 150 apply.

SPECIAL TO THIS PRODUCT:

INCLUSIONS: Omni-Rupter Switches are three-pole, group-operated interrupter switches offered in the side-break integer style. These switches are available with either steel or insulated bases in the mounting configurations and standard mounting arrangements shown in Tables 5 and 6 on pages 5 through 10. Each switch is provided with an operating mechanism designed for the applicable standard mounting arrangement. Each shipment of one of these switches will include:

- A three-pole switch, complete with interphase drive, factory-assembled on a single base
- Dead-ending brackets for each switch pole (except vertical mounting configurations); requires an optional pole-band
- Silver-plated contacts and terminal pads
- A single-point lifting bracket in the upright, inverted, and vertical mounting configurations, permanently installed for convenient rigging and hoisting during installation
- The appropriate detailed erection drawing (ED)
- Complete installation instructions

In addition, the following items will be provided depending upon the style of operating mechanism:

For hookstick-operated switches (ED-700R4, ED-706R4, ED-707R4, ED-709R4, ED-710R4, ED-716R4, ED-717R4, and ED-719R4):

- A crossarm-mounted pull-pull-type manual operating handle, a retention mechanism to hold the switch in the **Open** position, and provisions for the switch to be locked/tagged out in the **Open** position (Although

these items will be assembled to the switch and adjusted for proper operation at the factory, some minor disassembly is required for shipping purposes. However, no adjustments should be necessary following reassembly in the field.)

- Availability of a hookstick-operated lockout/tagout device for hookstick-operated Omni-Rupter Switches in the upright, upright with extra mounting-pole clearance, tiered-outboard, and inverted configurations (Select the catalog number with the “-H2” suffix to add this option.)

For vertical-operating-shaft switches (all other ED numbers):

- Four sections of 6-foot-10-inch (208.3-cm) vertical operating pipe as specified on the erection drawing for the applicable standard mounting arrangement
- The appropriate set of operating-mechanism components for the vertical operating pipe; e.g., handle, rod guides or guide bearings, and couplings

Manually operated Omni-Rupter Switches have a two-time duty cycle fault-closing capability of 42,000 amperes peak (32,500 amperes peak for 34.5-kV switches), and a 10-time duty cycle fault-closing capability of 21,000 amperes peak. Accordingly, these switches may be closed the specified number of times at the indicated current while remaining operable and able to carry and interrupt rated continuous current.

Manually operated Omni-Rupter Switches have ice-breaking capabilities dependent on the mounting configuration, operating mechanism, and voltage class. These capabilities can be found in Table 2 on page 3.

EXCLUSIONS: Switches do not include extension-link assemblies, brackets for mounting surge arresters, pole band and J-bolts, or ice shields listed in Table 7 on page 11, nor do they include connectors. Various connector arrangements are available as listed in Table 4 on page 4.

★ Rural Utilities Service has accepted a wide variety of Omni-Rupter Switch styles and configurations.



Conditions of Sale—Continued

POWER OPERATION: Power operation or, if desired, remote supervisory control may be provided for Omni-Rupter Switches by the addition of the 6801M Automatic Switch Operator. The 6801M Switch Operator is available in two versions: reciprocating, for reciprocating-type operating mechanisms; and rotating, for rotating-type operating mechanisms. Omni-Rupter Switches furnished with 6801M Automatic Switch Operators have a two-time duty cycle fault-closing capability of 32,500 amperes peak for 14.4-kV and 25-kV standard switches only. Ice-breaking ratings for Omni-Rupter Switches with 6801M operators are listed in Table 3 on page 3. For additional details concerning the 6801M Automatic Switch Operator, refer to Specification Bulletin 1045M-31.

SPECIFICATION DEVIATIONS: Omni-Rupter Switches are offered with a choice of Cypoxy™ Insulators, silicone insulators, or porcelain standard-length station post insulators. The standard insulator color is gray. Over- or under-insulated switches can be specified by adding one of the insulator options from Table 9 on page 13. Omni-Rupter Switches cannot be supplied without insulators or bases.

Departures from the standard mounting arrangements for Omni-Rupter Switches are available as standard minor modifications.

How to Order

Complete these steps to identify the base catalog number, ED number, accessories, and standard minor modifications needed for a complete order:

STEP 1. Obtain the catalog number of the desired switch from Tables 5 and 6 on pages 5 through 10. Also obtain the erection drawing number of the desired switch from the “Standard Mounting/Operating Arrangements” column in those tables.

Catalog Number: □□□□□□□□□□-□□

per ED: □□-□□□□□□□□

STEP 2. Add suffix designations to the catalog number indicating the accessories desired, selected from Table 7 on page 11.

Suffix: □□□□

STEP 3. Add suffix designations to the ED number indicating the standard minor modifications desired, selected from Table 8 on page 12.

Suffix: □□□□

STEP 4. If insulators other than the standard Cypoxy Insulators are desired, add suffix designations to the catalog number from Table 9 on page 13.

Suffix: □□

STEP 5. Obtain catalog numbers for any spare parts from Table 11 on page 13 and apply as a separate line item on the order.

Catalog Number: □□□□□□□□□□

Example: The catalog number and ED number for a 15.5-kV Omni-Rupter Switch in the upright mounting configuration with a fiberglass base, extra mounting-pole clearance, overinsulated with 25-kV silicone insulators, with harsh-environment contacts, extension-link assemblies, pole-band and J-bolts, phase-to-ground wildlife protection, one Cypoxy Insulator in the vertical operating shaft, and one extra operating-pipe section is:

1	4	7	4	4	2	R	4	-	K	Z	3	-	C	D	P	1	W								
<i>per</i>													E	D	-	7	1	1	R	4	-	S	2	V	1

Table 1. Interrupting Ratings

Application Class		Maximum Amperes	
		14.4-kV and 25-kV Switches	34.5-kV Switches
Transformer switching	Parallel switching ^①	900	630
	Load dropping ^②	900	630
Line switching	Load splitting (parallel or loop switching)	900	630
	Load dropping	900	630
	Line dropping	10	10
Cable switching	Load splitting (parallel or loop switching)	900	630
	Load dropping	900	630
	Cable dropping (charging current)	20	20

① Applies to the switching of the primary of a transformer that remains energized from the secondary bus or to the disconnecting of a loaded secondary bus from one of the two transformers supplying that bus while the primary side of the transformer remains energized.

② Omni-Rupter Switches can also switch the magnetizing currents associated with such loads.

Table 2. Ice-Breaking Capabilities^①

Mounting Configuration	Operating Mechanism	Ice-Breaking Capability, inches (mm)					
		14.4-kV Switches		25-kV Switches		34.5-kV Switches	
		Opening	Closing	Opening	Closing	Opening	Closing
Upright (including extra mounting-pole clearance)	Rotating handle	¾ (19)	¾ (19)	¾ (19)	¾ (19)	½ (12.7)●	½ (12.7)●
	Hookstick mechanism	¾ (19)	¾ (19)	¾ (19)	¾ (19)	¾ (19)●	½ (12.7)●
Triangular	Rotating handle	¾ (19)	¾ (19)	¾ (19)	¾ (19)	N/A	N/A
Vertical	Reciprocating handle	¾ (19)●	⅝ (9.5)●	¾ (19)●	⅝ (9.5)●	¾ (19)●	¼ (6.4)●
	Hookstick mechanism	¾ (19)●	⅝ (9.5)●	¾ (19)●	⅝ (9.5)●	½ (12.7)●	¼ (6.4)●
Tiered-outboard	Reciprocating handle	¾ (19)●	⅝ (9.5)●	¾ (19)●	⅝ (9.5)●	¾ (19)●	⅝ (9.5)●
	Hookstick mechanism	¾ (19)●	⅝ (9.5)●	¾ (19)●	⅝ (9.5)●	¾ (19)●	⅝ (9.5)●
Inverted	Rotating handle	¾ (19)●	¾ (19)●	¾ (19)●	¾ (19)●	No capability	No capability
	Reciprocating handle	¾ (19)●	¾ (19)●	¾ (19)●	¾ (19)●	No capability	No capability
	Hookstick mechanism	¾ (19)●	¾ (19)●	¾ (19)●	¾ (19)●	No capability	No capability

① Ice-breaking capabilities are assigned to manually operated Omni-Rupter Switches.

● Capability listed requires the addition of ice shields (catalog number suffix “-B”).

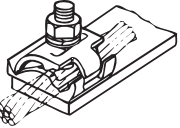
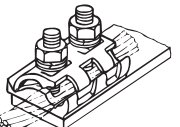
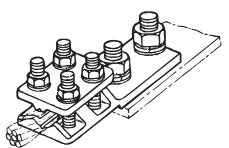
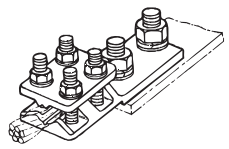
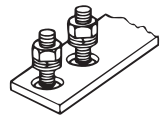
Table 3. Ice-Breaking Ratings^①

Mounting Configuration	Operating Mechanism	Ice-Breaking Rating, inches (mm)					
		14.4-kV Switches		25-kV Switches		34.5-kV Switches	
		Opening	Closing	Opening	Closing	Opening	Closing
Upright (including extra mounting-pole clearance)	6801M operator	¾ (19)	½ (12.7)	¾ (19)	½ (12.7)	½ (12.7)●	½ (12.7)●
Triangular	6801M operator	¾ (19)	½ (12.7)	¾ (19)	½ (12.7)	N/A	N/A
Vertical	6801M operator	¾ (19)●	⅝ (9.5)●	¾ (19)●	⅝ (9.5)●	½ (12.7)●	¼ (6.4)●
Tiered-outboard	6801M operator	¾ (19)●	⅝ (9.5)●	¾ (19)●	⅝ (9.5)●	¾ (19)●	⅝ (9.5)●
Inverted	6801M operator	N/A	N/A	N/A	N/A	No rating	No rating

① Ice-breaking ratings are assigned to power-operated Omni-Rupter Switches that use the 6801M Automatic Switch Operator.

● Rating listed requires the addition of ice shields (catalog number suffix “-B”).

Table 4. Connectors

Illustration	Description	Accommodating Conductor	Catalog Number
	Bronze body, tin plated, single 1/2-13 x 2 3/4 galvanized steel carriage bolt	No. 2 solid (33.6 mm ²) through 500 kc mil stranded (334.9 mm ²) copper or aluminum	4738●
	Aluminum-alloy body, tin plated, two 1/2-13 x 2 3/4 galvanized steel carriage bolts	No. 2 solid (33.6 mm ²) through 500 kc mil stranded (334.9 mm ²) copper or aluminum	4739●
	Standard bronze pad terminal, four-bolt, tin plated. Includes galvanized steel hardware for attachment to terminal pads of switches	No. 6 solid (13.6 mm ²) through 250 kc mil (167.5 mm ²) copper or aluminum	4564R1-B■
		1/0 solid (53.5 mm ²) through 500 kc mil (334.9 mm ²) copper or aluminum	4565R1-B▲
		2/0 stranded (87.0 mm ²) through 800 kc mil (538.6 mm ²) copper or aluminum	4567R1-B
	Standard aluminum-alloy pad terminal, four-bolt. Includes galvanized steel hardware for attachment to terminal pads of switches	No. 4 stranded (27.3 mm ²) through 1/0 stranded (70.5 mm ²) copper or aluminum	5326-B
		1/0 stranded (70.5 mm ²) through 250 kc mil copper or aluminum	5327-B
		250 kc mil (167.5 mm ²) through 400 kc mil (268.5 mm ²) copper or aluminum	5328-B
		350 kc mil (235.0 mm ²) through 600 kc mil (404.1 mm ²) copper or aluminum	5330-B
	Provision only for compression connectors. Includes two 1/2-13 x 2 galvanized steel carriage bolts		4586▲

● Connector suitable for hot-line tool handling.

■ When tin plated, accommodates No. 6 solid through 4/0 stranded aluminum or No. 6 through 4/0 ACSR. If desired, specify tin plating when ordering.

▲ When tin plated, accommodates 1/0 solid through 500 kc mil aluminum or No. 1 through 477 18/1 ACSR. If desired, specify tin plating when ordering.

Table 5. Omni-Rupter Switches—Three-Pole Side-Break Integer Style, with Cypoxy Insulators and Steel Bases^①

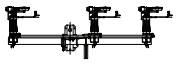
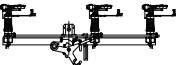
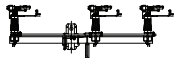

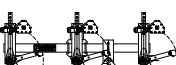
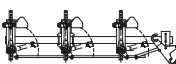
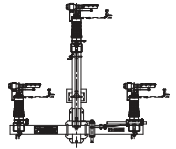
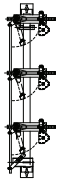
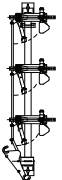
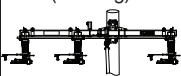
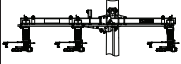
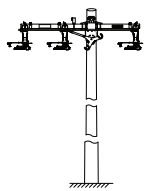
Mounting Configuration	Standard Mounting/ Operating Arrangements ^②	Rating										Catalog Number Cypoxy Insulators ^⑦	Page Reference for Dimensional Information	
		kV			Amperes						Fault Closing Capability, Amperes Peak ^④			
		Nom.	Max	BIL	Cont. ^③	Interr.	Peak Withstand	One-Second RMS, Sym.	Three-Second RMS, Sym.	Two-Time Duty Cycle ^⑤	Ten-Time Duty Cycle ^⑥			
Upright ^⑧ 	ED-701R4	14.4 25 34.5	17.0 29 38	110 150 200	900 900 630	900 900 630	65 000 65 000 65 000	25 000 25 000 25 000	20 000 20 000 25 000	42 000 42 000 32 500	21 000 21 000 21 000	147412R4 147413R4 147414R4	14	
Upright ^{⑧⑨} hookstick-operated 	ED-700R4●	14.4	17.0	110	900	900	65 000	25 000	20 000	42 000	21 000	147412R4-H 147412R4-H2	16	
25		29	150	900	900	65 000	25 000	20 000	42 000	21 000	147413R4-H 147413R4-H2			
34.5		38	200	630	630	65 000	25 000	25 000	32 500	21 000	147414R4-H 147414R4-H2			
Upright ^⑧ (extra mounting-pole clearance) 	ED-701R4	14.4 25	17.0 29	110 150	900 900	900 900	65 000 65 000	25 000 25 000	20 000 20 000	42 000 42 000	21 000 21 000	147422R4 147423R4	14	
Upright ^{⑧⑨} hookstick-operated (extra mounting-pole clearance) 	ED-700R4●	14.4	17.0	110	900	900	65 000	25 000	20 000	42 000	21 000	147422R4-H 147422R4-H2	16	
25		29	150	900	900	65 000	25 000	20 000	42 000	21 000	147423R4-H 147423R4-H2			
Vertical 	ED-703R4	14.4 25 34.5	17.0 29 38	110 150 200	900 900 630	900 900 630	65 000 65 000 65 000	25 000 25 000 25 000	20 000 20 000 25 000	42 000 42 000 32 500	21 000 21 000 21 000	147512R4 147513R4 147514R4	18	
Vertical ^⑩ hookstick-operated 	ED-707R4●	14.4	17.0	110	900	900	65 000	25 000	20 000	42 000	21 000	147512R4-H 147512R4-H2	18	
25		29	150	900	900	65 000	25 000	20 000	42 000	21 000	147513R4-H 147513R4-H2			
34.5		38	200	630	630	65 000	25 000	25 000	32 500	21 000	147514R4-H 147514R4-H2			
Triangular 	ED-704R4	14.4 25	17.0 29	110 150	900 900	900 900	65 000 65 000	25 000 25 000	20 000 20 000	42 000 42 000	21 000 21 000	147712R4 147713R4	20	

TABLE CONTINUED ►

FOR FOOTNOTES, SEE PAGE 7 ►

Omni-Rupter® Switches

Table 5. Omni-Rupter Switches—Three-Pole Side-Break Integer Style, with Cypoxy Insulators and Steel Bases^①—Continued

Mounting Configuration	Standard Mounting/ Operating Arrangements ^②	Rating										Catalog Number Cypoxy Insulators ^⑦	Page Reference for Dimensional Information
		kV			Amperes					Fault Closing Capability, Amperes Peak ^④			
		Nom.	Max	BIL	Cont. ^③	Interr.	Peak Withstand	One-Second RMS, Sym.	Three-Second RMS, Sym.	Two-Time Duty Cycle ^⑤	Ten-Time Duty Cycle ^⑥		
Tiered-outboard ^⑧ 	ED-705R4	14.4 25 34.5	17.0 29 38	110 150 200	900 900 630	900 900 630	65 000 65 000 65 000	25 000 25 000 25 000	20 000 20 000 25 000	42 000 42 000 32 500	21 000 21 000 21 000	147812R4 147813R4 147814R4	22
Tiered-outboard ^{⑧⑨} hookstick-operated 	ED-706R4●	14.4	17.0	110	900	900	65 000	25 000	20 000	42 000	21 000	147812R4-H 147812R4-H2 147813R4-H 147813R4-H2 147814R4-H 147814R4-H2	22
		25	29	150	900	900	65 000	25 000	20 000	42 000	21 000		
		34.5	38	200	630	630	65 000	25 000	25 000	32 500	21 000		
Inverted ^⑧ (rotating) 	ED-708R4	14.4 25 34.5	17.0 29 38	110 150 200	900 900 630	900 900 630	65 000 65 000 65 000	25 000 25 000 25 000	20 000 20 000 25 000	42 000 42 000 32 500	21 000 21 000 21 000	147212R4 147213R4 147214R4	24
Inverted ^⑧ (reciprocating) 	ED-741R4	14.4 25 34.5	17.0 29 38	110 150 200	900 900 630	900 900 630	65 000 65 000 65 000	25 000 25 000 25 000	20 000 20 000 25 000	42 000 42 000 32 500	21 000 21 000 21 000	147912R4 147913R4 147914R4	24
Inverted ^{⑧⑨} hookstick-operated 	ED-709R4●	14.4	17.0	110	900	900	65 000	25 000	20 000	42 000	21 000	147212R4-H 147212R4-H2 147213R4-H 147213R4-H2 147214R4-H 147214R4-H2	26
		25	29	150	900	900	65 000	25 000	20 000	42 000	21 000		
		34.5	38	200	630	630	65 000	25 000	25 000	32 500	21 000		

FOR FOOTNOTES, SEE PAGE 7 ►

① Switches shown include the appropriate set of operating-mechanism components as specified on the erection drawing for the switch. Switches do not include connectors (refer to Table 4 on page 4).

② The standard mounting arrangement is designated by the erection drawing number shown and should be specified when ordering. The suffixes available in Table 8 on page 12 can be added to the basic erection drawing number if desired.

Note: The vertical pipe for switches specified with an “-S” modification is limited to a total length of approximately 50 feet (1,524 cm). Not all modifications are available in all mounting configurations.

③ Omni-Rupter Switches rated 14.4 kV and 25 kV can carry up to 1000 amperes on a continuous basis for ambient temperatures to 104°F (40°C) with a minimum wind velocity of 2 feet per second. Emergency interrupting performance may be expected for currents to 1000 amperes for 14.4-kV and 25-kV switches; refer to Table 1 on page 3 for detailed information concerning interrupting ratings.

④ Accordingly, these switches may be closed the specified number of times at the indicated current while remaining operable and able to carry and interrupt rated continuous current.

⑤ 14.4-kV and 25-kV switches furnished with 6801M Automatic Switch Operators have a two-time duty cycle fault closing rating of 32,500 amperes peak.

⑥ Switches furnished with 6801M Automatic Switch Operators are not rated for 10-time duty cycle fault closing.

⑦ See Table 10 on page 13 for insulator leakage distance.

⑧ These switches include dead-ending brackets as standard. When dead-ending to these brackets, extension-link assemblies (suffix “-D”) and a pole-band and J-bolts (suffix “-P1”) are required. Maximum dead-end loading is 8000 pounds per conductor where equal pull-off forces are applied to both sides of the switch. Maximum dead-end loading where pull-off forces are applied to only one side of the switch are shown in the table at the top of the next column.

Mounting Configuration	Pounds Per Conductor		
	14.4 kV	25 kV	34.5 kV
Upright	2000	2000	1500
Upright extra mounting-pole clearance	1500	1500	N/A
Tiered-outboard	2000	2000	1500
Inverted	1500	1000	N/A

⑨ Switches with the “-H2” suffix are equipped with an enhanced hook-stick-operated lockout/tagout device.

● Although the components for hookstick-operated switches are assembled to the switch and adjusted at the factory, some minor disassembly is required for shipping purposes. However, no adjustments should be required following reassembly in the field.

Table 6. Omni-Rupter Switches—Three-Pole Side-Break Integer Style, with Cypoxy Insulators and Insulated Bases^{①②}

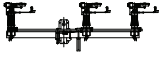

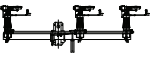
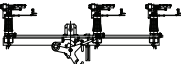
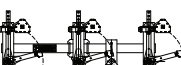
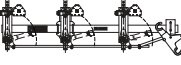
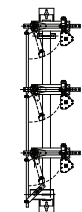
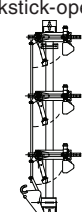
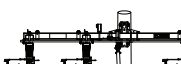
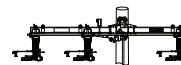
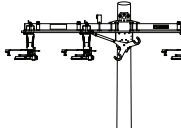
Mounting Configuration	Standard Mounting/ Operating Arrangements ^③	Rating										Catalog Number Cypoxy Insulators ^⑧	Page Reference for Dimensional Information	
		kV			Amperes, RMS						Fault Closing Capability, Amperes Peak ^⑤			
		Nom.	Max	BIL	Cont. ^④	Interr.	Peak Withstand	One-Second RMS, Sym.	Three-Second RMS, Sym.	Two-Time Duty Cycle ^⑥	Ten-Time Duty Cycle ^⑦			
 Upright ^⑨	ED-711R4	14.4	17.0	110	900	900	65 000	25 000	20 000	42 000	21 000	147432R4 147433R4 147434R4	14	
		25	29	150	900	900	65 000	25 000	20 000	42 000	21 000			
		34.5	38	200	630	630	65 000	25 000	25 000	32 500	21 000			
 Upright ^{⑨⑩} hookstick-operated	ED-710R4●	14.4	17.0	110	900	900	65 000	25 000	20 000	42 000	21 000	147432R4-H 147432R4-H2 147433R4-H 147433R4-H2 147434R4-H 147434R4-H2	16	
		25	29	150	900	900	65 000	25 000	20 000	42 000	21 000			
		34.5	38	200	630	630	65 000	25 000	25 000	32 500	21 000			
 Upright ^⑨ (extra mounting-pole clearance)	ED-711R4	14.4	17.0	110	900	900	65 000	25 000	20 000	42 000	21 000	147442R4 147443R4	14	
		25	29	150	900	900	65 000	25 000	20 000	42 000	21 000			
		34.5	38	200	630	630	65 000	25 000	25 000	32 500	21 000			
 Upright ^{⑨⑩} hookstick-operated (extra mounting-pole clearance)	ED-710R4●	14.4	17.0	110	900	900	65 000	25 000	20 000	42 000	21 000	147442R4-H 147442R4-H2 147443R4-H 147443R4-H2	16	
		25	29	150	900	900	65 000	25 000	20 000	42 000	21 000			
		34.5	38	200	630	630	65 000	25 000	25 000	32 500	21 000			
 Vertical	ED-713R4	14.4	17.0	110	900	900	65 000	25 000	20 000	42 000	21 000	147532R4 147533R4 147534R4	18	
		25	29	150	900	900	65 000	25 000	20 000	42 000	21 000			
		34.5	38	200	630	630	65 000	25 000	25 000	32 500	21 000			
 Vertical ^⑩ hookstick-operated	ED-717R4●	14.4	17.0	110	900	900	65 000	25 000	20 000	42 000	21 000	147532R4-H 147532R4-H2 147533R4-H 147533R4-H2 147534R4-H 147534R4-H2	18	
		25	29	150	900	900	65 000	25 000	20 000	42 000	21 000			
		34.5	38	200	630	630	65 000	25 000	25 000	32 500	21 000			

TABLE CONTINUED ►

FOR FOOTNOTES, SEE PAGE 10 ►

Table 6. Omni-Rupter Switches—Three-Pole Side-Break Integer Style, with Cypoxy Insulators and Insulated Bases^{①②}—Continued

Mounting Configuration	Standard Mounting/ Operating Arrangements ^③	Rating										Catalog Number Cypoxy Insulators ^⑧	Page Reference for Dimensional Information	
		kV			Amperes, RMS						Fault Closing Capability, Amperes Peak ^⑤			
		Nom.	Max	BIL	Cont. ^④	Interr.	Peak Withstand	One-Second RMS, Sym.	Three-Second RMS, Sym.	Two-Time Duty Cycle ^⑥	Ten-Time Duty Cycle ^⑦			
Tiered-outboard ^⑨ 	ED-715R4	14.4	17.0	110	900	900	65 000	25 000	20 000	42 000	21 000	147832R4 147833R4 147834R4	22	
		25	29	150	900	900	65 000	25 000	20 000	42 000	21 000			
		34.5	38	200	630	630	65 000	25 000	25 000	32 500	21 000			
Tiered-outboard ^{⑨⑩} hookstick-operated 	ED-716R4●	14.4	17.0	110	900	900	65 000	25 000	20 000	42 000	21 000	147832R4-H 147832R4-H2 147833R4-H 147833R4-H2 147834R4-H 147834R4-H2	22	
		25	29	150	900	900	65 000	25 000	20 000	42 000	21 000			
		34.5	38	200	630	630	65 000	25 000	25 000	32 500	21 000			
Inverted ^⑨ (rotating) 	ED-718R4	14.4	17.0	110	900	900	65 000	25 000	20 000	42 000	21 000	147232R4 147233R4 147234R4	24	
		25	29	150	900	900	65 000	25 000	20 000	42 000	21 000			
		34.5	38	200	630	630	65 000	25 000	25 000	32 500	21 000			
Inverted ^⑨ (reciprocating) 	ED-742R4	14.4	17.0	110	900	900	65 000	25 000	20 000	42 000	21 000	147932R4 147933R4 147934R4	24	
		25	29	150	900	900	65 000	25 000	20 000	42 000	21 000			
		34.5	38	200	630	630	65 000	25 000	25 000	32 500	21 000			
Inverted ^{⑨⑩} hookstick-operated 	ED-719R4●	14.4	17.0	100	900	900	65 000	25 000	20 000	42 000	21 000	147232R4-H 147232R4-H2 147233R4-H 147233R4-H2 147234R4-H 147234R4-H2	26	
		25	29	150	900	900	65 000	25 000	20 000	42 000	21 000			
		34.5	38	200	630	630	65 000	25 000	25 000	32 500	21 000			

FOR FOOTNOTES, SEE PAGE 10 ►

Omni-Rupter® Switches

① Switches shown include the appropriate set of operating-mechanism components as specified on the erection drawing for the switch. Switches do not include connectors (refer to Table 4 on page 4).

② Base is a fiberglass-reinforced pultruded structural tube especially constructed for high strength. Interphase operating shaft is 1.050-inch diameter fiberglass rod. (Equivalent to 3/4-inch IPS pipe.)

③ The standard mounting arrangement is designated by the erection drawing number shown and should be specified when ordering. The suffixes available in Table 8 on page 12 can be added to the basic erection drawing number if desired.

Note: The vertical pipe for switches specified with an “-S” modification is limited to a total length of approximately 50 feet (1,524 cm). Not all modifications are available in all mounting configurations.

④ Omni-Rupter Switches rated 14.4 kV and 25 kV can carry up to 1000 amperes on a continuous basis for ambient temperatures to 104°F (40°C) with a minimum wind velocity of 2 feet per second. Emergency interrupting performance may be expected for currents to 1000 amperes for 14.4-kV and 25-kV switches; refer to Table 1 on page 3 for detailed information concerning interrupting ratings.

⑤ Accordingly, these switches may be closed the specified number of times at the indicated current, while remaining operable and able to carry and interrupt rated continuous current.

⑥ 14.4-kV and 25-kV switches furnished with S&C 6801M Automatic Switch Operators have a two-time duty cycle fault closing rating of 32,500 amperes peak.

⑦ Switches furnished with S&C 6801M Automatic Switch Operators are not rated for 10-time duty cycle fault closing.

⑧ See Table 10 on page 13 for insulator leakage distance.

⑨ These switches include dead-ending brackets as standard. When dead-ending to these brackets, extension-link assemblies (suffix “-D”) and a pole-band and J-bolts (suffix “-P1”) are required. Maximum dead-end loading is 8000 pounds per conductor where equal pull-off forces are applied to both sides of the switch. Maximum dead-end loading where pull-off forces are applied to only one side of the switch are shown in the table at the top of the next column.

Mounting Configuration	Pounds Per Conductor		
	14.4 kV	25 kV	34.5 kV
Upright	750	500	250
Upright extra mounting-pole clearance	750	500	N/A
Tiered-outboard	750	500	250
Inverted	500	500	250

⑩ Switches with the “-H2” suffix are equipped with an enhanced hook-stick-operated lockout/tagout device.

● Although the components for hookstick-operated switches are assembled to the switch and adjusted at the factory, some minor disassembly is required for shipping purposes. However, no adjustments should be required following reassembly in the field.

Table 7. Accessories—For Omni-Rupter Switches

Item	Applicable to Mounting Configurations	Suffix to be Added to Switch Catalog Number
Mounting provisions for three surge arresters per switch	Upright, tiered-outboard, triangular, inverted	-A1
Mounting provisions for six surge arresters per switch	Upright, tiered-outboard, triangular, inverted	-A2
Ice shields ^①	Upright (34.5 kV only), vertical (all voltages), tiered-outboard (all voltages), inverted (14.4 kV and 25 kV only)	-B
Harsh environment contacts. Greaseless graphite-impregnated contacts for application in high-contamination areas	All configurations	-C
Extension-link assembly ^② (one set of six) ^③	Upright, tiered-outboard, triangular, inverted	-D
International crating. Wood used is either hardwood or certified by the supplier as “Heat treated (kiln dried) to a core temperature of 133° F (56° C) for a minimum of 30 minutes”	All configurations	-L71
Enclosed international crating. Enclosed box. Wood used is either hardwood or certified by the supplier as “Heat treated (kiln dried) to a core temperature of 133° F (56° C) for a minimum of 30 minutes” ^④	All configurations	-L72
Provisions for power operation of pole-mounted switch by 6801M Automatic Switch Operator—rotating or reciprocating	All configurations	-M
Pole band and J-bolts—for mounting on a wood pole ^③	All configurations	-P1
Pole-band mounting provisions—mounting provisions ONLY for pole-band and J-bolts ^③	All configurations	-P2
Open-gap wildlife protection	Upright	-U
Phase-to-ground wildlife protection ^⑤	Upright, inverted ^⑥	-W

^① 14.4-kV and 25-kV manually operated switches in the tiered-outboard and vertical mounting configurations require the addition of ice shields to ensure ¼-inch (19 mm) ice-breaking capability on opening and ⅜-inch (9.5 mm) ice-breaking capability on closing. 14.4-kV and 25-kV manually operated switches in the inverted mounting configuration require the addition of ice shields to ensure a ¼-inch (19 mm) ice-breaking capability on opening and closing. 34.5-kV manually-operated switches in the upright mounting configuration require the addition of ice shields to provide a ½-inch (12.7-mm) ice-breaking capability on opening and a ⅜-inch (9.5-mm) ice-breaking capability on closing.

^② Pole band and J-bolts, catalog number suffix “-P1” or pole band provisions, catalog number suffix “-P2,” must be specified.

^③ Required when dead-ending to the switch. Includes mounting flanges for pole-band and J-bolts. Refer to Tables 5 and 6 on pages 5 through 10, as applicable, for maximum dead-end loading.

^④ Option “-L71” is required when ordering “-L72.”

^⑤ Not available for switches with silicone insulators.

^⑥ Catalog number suffix “-W” includes only wildlife discs for inverted mounting configuration switches.

Table 8. Standard Minor Modifications—For Omni-Rupter Switches with Vertical Operating Shafts

Item	Applicable to Mounting Configurations	Suffix to be Added to ED Number
Provisions for power operation of pole-mounted switch by 6801M Automatic Switch Operator—rotating or reciprocating	All configurations	-M●
One 2 $\frac{5}{8}$ -inch (66.7-mm) diameter tubular fiberglass insulating section in vertical operating shaft (rotating-type operating mechanism)	Upright, triangular, inverted (rotating)	-S1■
One Cypoxy Insulator unit in vertical operating shaft	All configurations	-S2
Key interlock—single lock for “locked-open” application at operating handle	All configurations	-S6■
Provisions-only key interlocks. No lock mechanism included	All configurations	-S6L■
One 1.050-inch (26.7-mm) diameter fiberglass insulating rod section in vertical operating shaft (reciprocating-type operating mechanism). (Same diameter as $\frac{3}{4}$ -inch (19-mm) IPS pipe)	Vertical, tiered-outboard, inverted (reciprocating)	-S10■▲
Heavy-duty vertical operating shaft—1 $\frac{1}{4}$ -inch (31.8-mm) IPS pipe in lieu of $\frac{3}{4}$ -inch IPS pipe (reciprocating-type operating mechanism)	Vertical, tiered-outboard inverted (reciprocating)	-S15◆
Extra height—one 6-foot, 10-inch (208.3-mm) galvanized operating pipe section, with rigid pipe coupling and rod guide (reciprocating-type operating mechanism) or guide bearing (rotating-type mechanism)	All configurations	-V1
Extra height—two 6-foot, 10-inch (208.3-mm) galvanized operating pipe sections, each with rigid pipe coupling and rod guide (reciprocating-type operating mechanism) or guide bearing (rotating-type operating mechanism)	All configurations	-V2
Extra height—three 6-foot, 10-inch (208.3-mm) galvanized operating pipe sections, each with rigid pipe coupling and rod guide (reciprocating-type operating mechanism) or guide bearing (rotating-type operating mechanism)	All configurations	-V3▼

● Both the catalog number and ED number must include -M for 6801M-operated switches.

■ Not available for switches furnished with 6801M Automatic Switch Operator.

▲ Not available for switches with heavy-duty vertical operating shafts.

◆ Reciprocating-type operating mechanism switches outfitted with 6801M Automatic Switch Operators (suffix “-M”) come furnished with a heavy-duty vertical operating shaft as standard.

▼ Vertical, tiered-outboard, and inverted (reciprocating) switches furnished with the -V3 suffix must also be furnished with heavy-duty vertical operating shaft (suffix “-S15”).

Table 9. Insulator Options^①

Item		Suffix to be Added to Switch Catalog Number			
Porcelain insulators—replace Cypoxy Insulators with porcelain station-post insulators		-SP			
Silicone insulators—replace Cypoxy Insulators with silicone insulators		-K			
Item	Voltage, Nom. kV From → To	Suffix to be Added to Switch Catalog Number	Switches Furnished with		
			Cypoxy Insulators	Porcelain Insulators	Silicone Insulators
Omni-Rupter Switch furnished with insulators of the <i>next-lower</i> voltage rating	14.4 → 7.5	-Z2	Not available	Available	Not available
	25 → 14.4		Available		
	34.5 → 25		Available		
Omni-Rupter Switch furnished with insulators of the <i>next-higher</i> voltage rating	14.4 → 25	-Z3	Available	Available●	Available
	25 → 34.5		Not available	Not available	
	34.5 → 46		Not available	Not available	Not available

① Omni-Rupter Switches are not available without insulators or bases.

● 23-kV station post insulator.

Table 10. Insulator Leakage Distance

Insulator Leakage Distance, inches (mm)			
Voltage, Nom. kV	Cypoxy Insulators	Porcelain Insulators	Silicone Insulators
7.5	N/A	10½ (267)	N/A
14.4	14⅞ (359)	15½ (394)	20½ (521)
25	24⅞ (613)	24 (610)	32¾ (818)
34.5	37⅞ (949)	37 (940)	43⅞ (1114)

Table 11. Parts—For Omni-Rupter Switches and Omni-Rupter Switch Operating Mechanisms

Item	Catalog Number
Spare or replacement interrupter—14.4- and 25-kV switches	SDA-5137●■
2⅝-inch (66.7-mm) diameter tubular fiberglass insulating section for vertical operating shaft, including end fittings (rotating-type operating mechanisms)	SA-42936-1
1.050-inch (26.7-mm) diameter fiberglass insulating section for vertical operating shaft (reciprocating-type operating mechanisms). (Same diameter as ¾-inch (19-mm) IPS pipe)	SD-6869-4▲
Cypoxy Insulator unit for vertical operating shaft, including end fittings For ¾-inch (19-mm) IPS operating shaft For 1¼-inch (31.8-mm) IPS operating shaft For 1½-inch (38.1-mm) IPS operating shaft	PA-7235-1 PA-7235-2 PA-7235-3

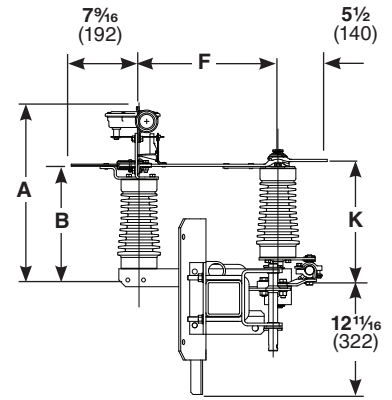
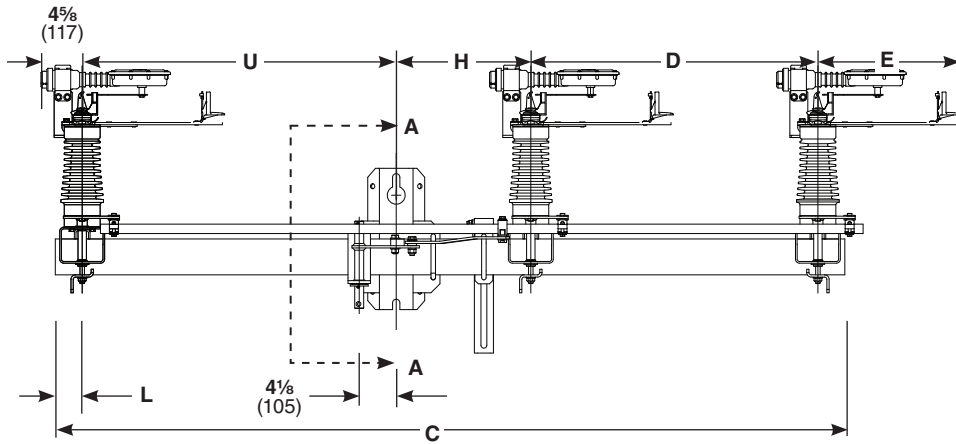
● Quick-Ship is available, for up to quantity of 3, subject to prior sales.

▲ Not available for switches with heavy-duty vertical operating shafts.

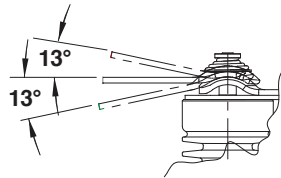
■ Only for switches with “-R4” catalog number revision. For “-R3” and previous revision switches, contact your local S&C Sales Office.

Upright Mounting Configuration Rotating Operating Mechanism

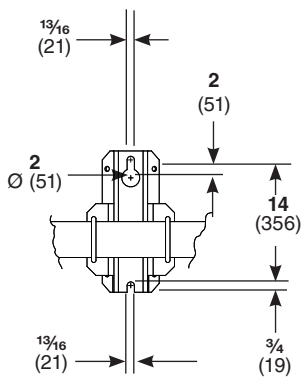
Dimensions in inches (mm)



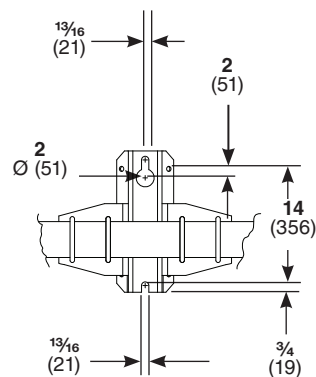
SECTION A-A



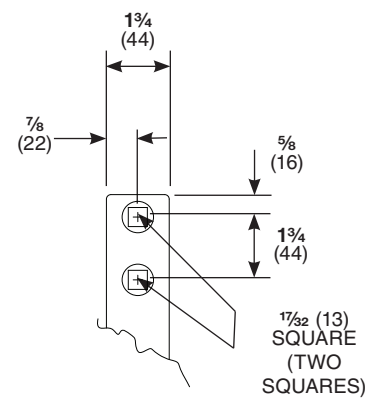
HINGE TERMINAL PAD
ARTICULATING DETAIL



STANDARD
MOUNTING BRACKET DETAIL



POLE BAND MOUNTING
BRACKET DETAIL (-P1 AND -P2)



TERMINAL PAD DETAIL

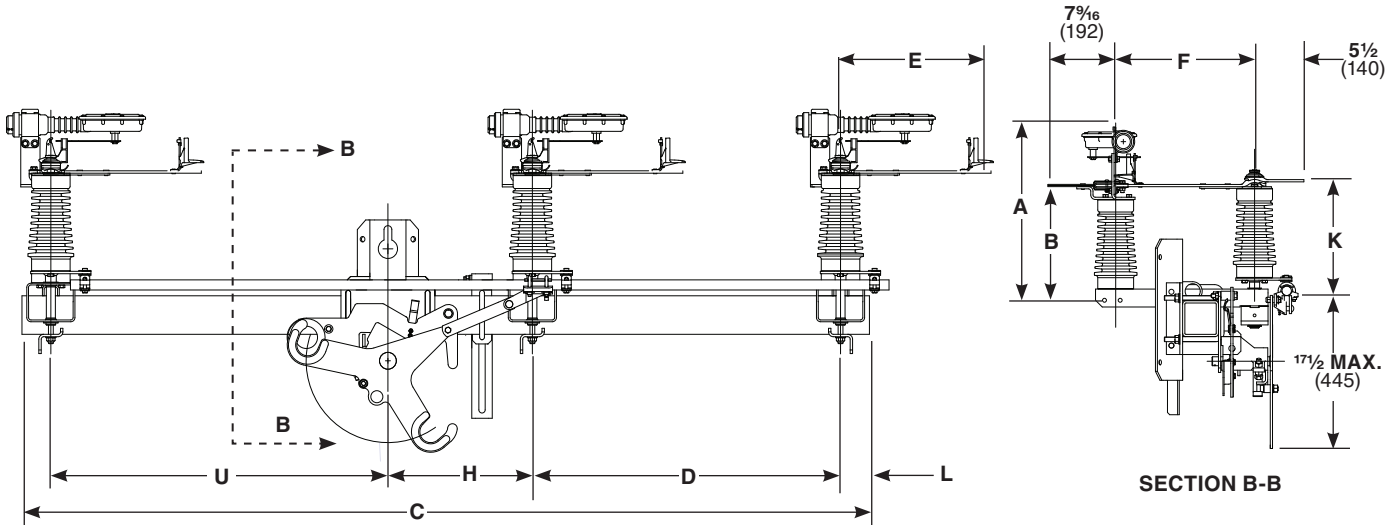
Insulator Material	Base Material	kV, Nom.	Catalog Number	Dimensions in Inches (mm)										Net Weight, Lbs. (kg)①	
				A	B	C	D	E	F	H	K	L	U		
Cypoxy	Steel	14.4	147412R4	16 ⁵ / ₁₆ (410)	9 ³ / ₄ (248)	75 (1905)	26 (660)	13 ¹ / ₁₆ (332)	12 ³ / ₁₆ (310)	15 (381)	10 ¹ / ₄ (260)	3 (76)	28 (711)	226 (103)	
			147422R4●	16 ⁵ / ₁₆ (410)	9 ³ / ₄ (248)	84 (2134)	26 (660)	13 ¹ / ₁₆ (332)	12 ³ / ₁₆ (310)	24 (610)	10 ¹ / ₄ (260)	3 (76)	28 (711)	236 (107)	
		25	147413R4	19 (483)	13 (330)	88 (2235)	32 (813)	15 ⁷ / ₈ (403)	15 ¹ / ₂ (394)	15 (381)	13 ¹ / ₄ (337)	4 (102)	33 (838)	243 (110)	
			147423R4●	19 (483)	13 (330)	97 (2464)	32 (813)	15 ⁷ / ₈ (403)	15 ¹ / ₂ (394)	24 (610)	13 ¹ / ₄ (337)	4 (102)	33 (838)	253 (115)	
		34.5	147414R4	28 ³ / ₁₆ (716)	20 ¹ / ₁₆ (525)	120 (3048)	44 (1118)	19 ¹ / ₈ (486)	19 (483)	24 (610)	21 ¹ / ₂ (546)	4 (102)	44 (1118)	442 (201)	
		Insulated	14.4	147432R4	16 ⁵ / ₁₆ (410)	9 ³ / ₄ (248)	75 (1905)	26 (660)	13 ¹ / ₁₆ (332)	12 ³ / ₁₆ (310)	15 (381)	10 ¹ / ₄ (260)	3 (76)	28 (711)	223 (101)
	147442R4●			16 ⁵ / ₁₆ (410)	9 ³ / ₄ (248)	84 (2134)	26 (660)	13 ¹ / ₁₆ (332)	12 ³ / ₁₆ (310)	24 (610)	10 ¹ / ₄ (260)	3 (76)	28 (711)	233 (106)	
	25		147433R4	19 (483)	13 (330)	88 (2235)	32 (813)	15 ⁷ / ₈ (403)	15 ¹ / ₂ (394)	15 (381)	13 ¹ / ₄ (337)	4 (102)	33 (838)	240 (109)	
			147443R4●	19 (483)	13 (330)	97 (2464)	32 (813)	15 ⁷ / ₈ (403)	15 ¹ / ₂ (394)	24 (610)	13 ¹ / ₄ (337)	4 (102)	33 (838)	250 (114)	
	34.5		147434R4	28 ³ / ₁₆ (716)	20 ¹ / ₁₆ (525)	120 (3048)	44 (1118)	19 ¹ / ₈ (486)	19 (483)	24 (610)	21 ¹ / ₂ (546)	4 (102)	44 (1118)	350 (159)	
	Porcelain		Steel	14.4	147412R4-SP	19 (483)	13 (330)	75 (1905)	26 (660)	13 ¹ / ₁₆ (332)	12 ³ / ₁₆ (310)	15 (381)	13 ¹ / ₂ (343)	3 (76)	28 (711)
		147422R4-SP●			19 (483)	13 (330)	84 (2134)	26 (660)	13 ¹ / ₁₆ (332)	12 ³ / ₁₆ (310)	24 (610)	13 ¹ / ₂ (343)	3 (76)	28 (711)	310 (141)
25		147413R4-SP		23 (584)	17 (432)	88 (2235)	32 (813)	15 ⁷ / ₈ (403)	15 ¹ / ₂ (394)	15 (381)	17 ¹ / ₂ (445)	4 (102)	33 (838)	372 (169)	
		147423R4-SP●		23 (584)	17 (432)	97 (2464)	32 (813)	15 ⁷ / ₈ (403)	15 ¹ / ₂ (394)	24 (610)	17 ¹ / ₂ (445)	4 (102)	33 (838)	382 (173)	
34.5		147414R4-SP		28 ³ / ₁₆ (716)	20 ¹ / ₁₆ (525)	120 (3048)	44 (1118)	19 ¹ / ₈ (486)	19 (483)	24 (610)	21 ¹ / ₂ (546)	4 (102)	44 (1118)	502 (228)	
Insulated		14.4		147432R4-SP	19 (483)	13 (330)	75 (1905)	26 (660)	13 ¹ / ₁₆ (332)	12 ³ / ₁₆ (310)	15 (381)	13 ¹ / ₂ (343)	3 (76)	28 (711)	297 (135)
			147442R4-SP●	19 (483)	13 (330)	84 (2134)	26 (660)	13 ¹ / ₁₆ (332)	12 ³ / ₁₆ (310)	24 (610)	13 ¹ / ₂ (343)	3 (76)	28 (711)	307 (139)	
		25	147433R4-SP	23 (584)	17 (432)	88 (2235)	32 (813)	15 ⁷ / ₈ (403)	15 ¹ / ₂ (394)	15 (381)	17 ¹ / ₂ (445)	4 (102)	33 (838)	350 (159)	
			147443R4-SP●	23 (584)	17 (432)	97 (2464)	32 (813)	15 ⁷ / ₈ (403)	15 ¹ / ₂ (394)	24 (610)	17 ¹ / ₂ (445)	4 (102)	33 (838)	360 (163)	
		34.5	147434R4-SP	28 ³ / ₁₆ (716)	20 ¹ / ₁₆ (525)	120 (3048)	44 (1118)	19 ¹ / ₈ (486)	19 (483)	24 (610)	21 ¹ / ₂ (546)	4 (102)	44 (1118)	410 (186)	
		Silicone	Steel	14.4	147412R4-K	19 (483)	13 (330)	75 (1905)	26 (660)	13 ¹ / ₁₆ (332)	12 ³ / ₁₆ (310)	15 (381)	13 ¹ / ₂ (343)	3 (76)	28 (711)
147422R4-K●					19 (483)	13 (330)	84 (2134)	26 (660)	13 ¹ / ₁₆ (332)	12 ³ / ₁₆ (310)	24 (610)	13 ¹ / ₂ (343)	3 (76)	28 (711)	250 (114)
25	147413R4-K			23 (584)	17 (432)	88 (2235)	32 (813)	15 ⁷ / ₈ (403)	15 ¹ / ₂ (394)	15 (381)	17 ¹ / ₂ (445)	4 (102)	33 (838)	255 (116)	
	147423R4-K●			23 (584)	17 (432)	97 (2464)	32 (813)	15 ⁷ / ₈ (403)	15 ¹ / ₂ (394)	24 (610)	17 ¹ / ₂ (445)	4 (102)	33 (838)	265 (120)	
34.5	147414R4-K			28 ³ / ₁₆ (716)	20 ¹ / ₁₆ (525)	120 (3048)	44 (1118)	19 ¹ / ₈ (486)	19 (483)	24 (610)	21 ¹ / ₂ (546)	4 (102)	44 (1118)	370 (168)	
Insulated	14.4			147432R4-K	19 (483)	13 (330)	75 (1905)	26 (660)	13 ¹ / ₁₆ (332)	12 ³ / ₁₆ (310)	15 (381)	13 ¹ / ₂ (343)	3 (76)	28 (711)	237 (108)
			147442R4-K●	19 (483)	13 (330)	84 (2134)	26 (660)	13 ¹ / ₁₆ (332)	12 ³ / ₁₆ (310)	24 (610)	13 ¹ / ₂ (343)	3 (76)	28 (711)	247 (112)	
	25		147433R4-K	23 (584)	17 (432)	88 (2235)	32 (813)	15 ⁷ / ₈ (403)	15 ¹ / ₂ (394)	15 (381)	17 ¹ / ₂ (445)	4 (102)	33 (838)	252 (114)	
			147443R4-K●	23 (584)	17 (432)	97 (2464)	32 (813)	15 ⁷ / ₈ (403)	15 ¹ / ₂ (394)	24 (610)	17 ¹ / ₂ (445)	4 (102)	33 (838)	262 (119)	
	34.5		147434R4-K	28 ³ / ₁₆ (716)	20 ¹ / ₁₆ (525)	120 (3048)	44 (1118)	19 ¹ / ₈ (486)	19 (483)	24 (610)	21 ¹ / ₂ (546)	4 (102)	44 (1118)	278 (126)	

① Listed net weights are for the switch only and do not include the erection drawing components or crate.

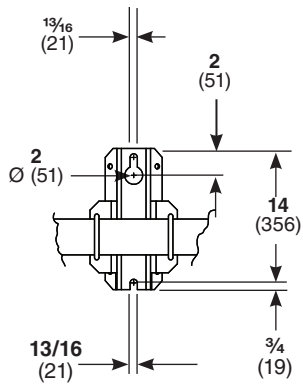
● Switch has extra mounting-pole clearance.

Upright Mounting Configuration Hookstick Operating Mechanism

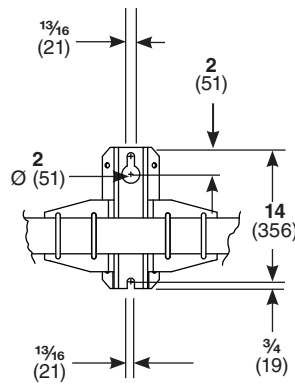
Dimensions in inches (mm)



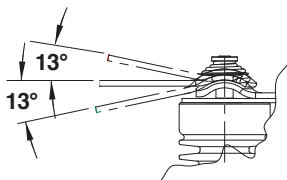
SECTION B-B



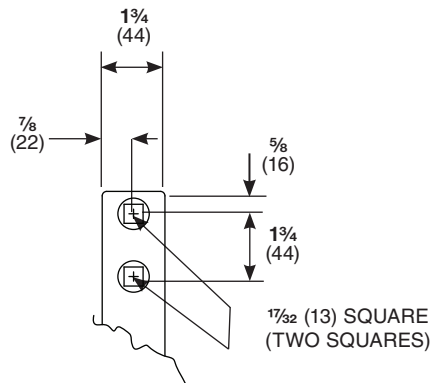
STANDARD
MOUNTING BRACKET DETAIL



POLE BAND
MOUNTING BRACKET DETAIL



HINGE TERMINAL PAD
ARTICULATING DETAIL



TERMINAL PAD DETAIL

Insulator Material	Base Material	kV, Nom.	Catalog Number ^①	Dimensions in Inches (mm)										Net Weight, Lbs. (kg) ^②	
				A	B	C	D	E	F	H	K	L	U		
Cypoxy	Steel	14.4	147412R4-H	16 ³ / ₈ (410)	9 ³ / ₄ (248)	75 (1905)	26 (660)	13 ³ / ₁₆ (332)	12 ³ / ₁₆ (310)	15 (381)	10 ¹ / ₄ (260)	3 (76)	28 (711)	212 (96)	
			147422R4-H●	16 ³ / ₈ (410)	9 ³ / ₄ (248)	84 (2134)	26 (660)	13 ³ / ₁₆ (332)	12 ³ / ₁₆ (310)	24 (610)	10 ¹ / ₄ (260)	3 (76)	28 (711)	221 (100)	
		25	147413R4-H	19 ³ / ₈ (492)	13 (330)	88 (2235)	32 (813)	15 ⁷ / ₈ (403)	15 ¹ / ₂ (394)	15 (381)	13 ¹ / ₂ (343)	4 (102)	33 (838)	220 (100)	
			147423R4-H●	19 ³ / ₈ (492)	13 (330)	97 (2464)	32 (813)	15 ⁷ / ₈ (403)	15 ¹ / ₂ (394)	24 (610)	13 ¹ / ₂ (343)	4 (102)	33 (838)	229 (104)	
		34.5	147414R4-H	28 ³ / ₁₆ (716)	20 ¹ / ₁₆ (525)	120 (3048)	44 (1118)	19 ¹ / ₈ (486)	19 (483)	24 (610)	21 ¹ / ₂ (546)	4 (102)	44 (1118)	454 (206)	
		Insulated	14.4	147432R4-H	16 ³ / ₈ (410)	9 ³ / ₄ (248)	75 (1905)	26 (660)	13 ³ / ₁₆ (332)	12 ³ / ₁₆ (310)	15 (381)	10 ¹ / ₄ (260)	3 (76)	28 (711)	207 (94)
	147442R4-H●			16 ³ / ₈ (410)	9 ³ / ₄ (248)	84 (2134)	26 (660)	13 ³ / ₁₆ (332)	12 ³ / ₁₆ (310)	24 (610)	10 ¹ / ₄ (260)	3 (76)	28 (711)	213 (97)	
	25		147433R4-H	19 ³ / ₈ (492)	13 (330)	88 (2235)	32 (813)	15 ⁷ / ₈ (403)	15 ¹ / ₂ (394)	15 (381)	13 ¹ / ₂ (343)	4 (102)	33 (838)	198 (90)	
			147443R4-H●	19 ³ / ₈ (492)	13 (330)	97 (2464)	32 (813)	15 ⁷ / ₈ (403)	15 ¹ / ₂ (394)	24 (610)	13 ¹ / ₂ (343)	4 (102)	33 (838)	204 (93)	
	34.5		147434R4-H	28 ³ / ₁₆ (716)	20 ¹ / ₁₆ (525)	120 (3048)	44 (1118)	19 ¹ / ₈ (486)	19 (483)	24 (610)	21 ¹ / ₂ (546)	4 (102)	44 (1118)	363 (165)	
	Porcelain		Steel	14.4	147412R4-HSP	19 ³ / ₈ (492)	13 (330)	75 (1905)	26 (660)	13 ³ / ₁₆ (332)	12 ³ / ₁₆ (310)	15 (381)	10 ¹ / ₄ (260)	3 (76)	28 (711)
		147422R4-HSP●			19 ³ / ₈ (492)	13 (330)	84 (2134)	26 (660)	13 ³ / ₁₆ (332)	12 ³ / ₁₆ (310)	24 (610)	10 ¹ / ₄ (260)	3 (76)	28 (711)	295 (134)
25		147413R4-HSP		23 ³ / ₈ (594)	17 (432)	88 (2235)	32 (813)	15 ⁷ / ₈ (403)	15 ¹ / ₂ (394)	15 (381)	13 ¹ / ₂ (343)	4 (102)	33 (838)	349 (158)	
		147423R4-HSP●		23 ³ / ₈ (594)	17 (432)	97 (2464)	32 (813)	15 ⁷ / ₈ (403)	15 ¹ / ₂ (394)	24 (610)	13 ¹ / ₂ (343)	4 (102)	33 (838)	358 (163)	
34.5		147414R4-HSP		28 ³ / ₁₆ (716)	20 ¹ / ₁₆ (525)	120 (3048)	44 (1118)	19 ¹ / ₈ (486)	19 (483)	24 (610)	21 ¹ / ₂ (546)	4 (102)	44 (1118)	514 (233)	
Insulated		14.4		147432R4-HSP	19 ³ / ₈ (492)	13 (330)	75 (1905)	26 (660)	13 ³ / ₁₆ (332)	12 ³ / ₁₆ (310)	15 (381)	10 ¹ / ₄ (260)	3 (76)	28 (711)	283 (128)
			147442R4-HSP●	19 ³ / ₈ (492)	13 (330)	84 (2134)	26 (660)	13 ³ / ₁₆ (332)	12 ³ / ₁₆ (310)	24 (610)	10 ¹ / ₄ (260)	3 (76)	28 (711)	287 (130)	
		25	147433R4-HSP	23 ³ / ₈ (594)	17 (432)	88 (2235)	32 (813)	15 ⁷ / ₈ (403)	15 ¹ / ₂ (394)	15 (381)	13 ¹ / ₂ (343)	4 (102)	33 (838)	327 (148)	
			147443R4-HSP●	23 ³ / ₈ (594)	17 (432)	97 (2464)	32 (813)	15 ⁷ / ₈ (403)	15 ¹ / ₂ (394)	24 (610)	13 ¹ / ₂ (343)	4 (102)	33 (838)	333 (151)	
		34.5	147434R4-HSP	28 ³ / ₁₆ (716)	20 ¹ / ₁₆ (525)	120 (3048)	44 (1118)	19 ¹ / ₈ (486)	19 (483)	24 (610)	21 ¹ / ₂ (546)	4 (102)	44 (1118)	423 (192)	
		Silicone	Steel	14.4	147412R4-HK	19 ³ / ₈ (492)	13 (330)	75 (1905)	26 (660)	13 ³ / ₁₆ (332)	12 ³ / ₁₆ (310)	15 (381)	10 ¹ / ₄ (260)	3 (76)	28 (711)
147422R4-HK●					23 ³ / ₈ (594)	13 (330)	84 (2134)	26 (660)	13 ³ / ₁₆ (332)	12 ³ / ₁₆ (310)	24 (610)	10 ¹ / ₄ (260)	3 (76)	28 (711)	235 (107)
25	147413R4-HK			19 ³ / ₈ (492)	17 (432)	88 (2235)	32 (813)	15 ⁷ / ₈ (403)	15 ¹ / ₂ (394)	15 (381)	13 ¹ / ₂ (343)	4 (102)	33 (838)	232 (105)	
	147423R4-HK●			23 ³ / ₈ (594)	17 (432)	97 (2464)	32 (813)	15 ⁷ / ₈ (403)	15 ¹ / ₂ (394)	24 (610)	13 ¹ / ₂ (343)	4 (102)	33 (838)	241 (109)	
34.5	147414R4-HK			28 ³ / ₁₆ (716)	20 ¹ / ₁₆ (525)	120 (3048)	44 (1118)	19 ¹ / ₈ (486)	19 (483)	24 (610)	21 ¹ / ₂ (546)	4 (102)	44 (1118)	382 (173)	
Insulated	14.4			147432R4-HK	19 ³ / ₈ (492)	13 (330)	75 (1905)	26 (660)	13 ³ / ₁₆ (332)	12 ³ / ₁₆ (310)	15 (381)	10 ¹ / ₄ (260)	3 (76)	28 (711)	223 (101)
			147442R4-HK●	23 ³ / ₈ (594)	13 (330)	84 (2134)	26 (660)	13 ³ / ₁₆ (332)	12 ³ / ₁₆ (310)	24 (610)	10 ¹ / ₄ (260)	3 (76)	28 (711)	227 (103)	
	25		147433R4-HK	19 ³ / ₈ (492)	17 (432)	88 (2235)	32 (813)	15 ⁷ / ₈ (403)	15 ¹ / ₂ (394)	15 (381)	13 ¹ / ₂ (343)	4 (102)	33 (838)	210 (95)	
			147443R4-HK●	23 ³ / ₈ (594)	13 (330)	97 (2464)	32 (813)	15 ⁷ / ₈ (403)	15 ¹ / ₂ (394)	24 (610)	13 ¹ / ₂ (343)	4 (102)	33 (838)	216 (98)	
	34.5		147434R4-HK	28 ³ / ₁₆ (716)	20 ¹ / ₁₆ (525)	120 (3048)	44 (1118)	19 ¹ / ₈ (486)	19 (483)	24 (610)	21 ¹ / ₂ (546)	4 (102)	44 (1118)	291 (132)	

① Switches with catalog number suffix “-H2” include the hookstick operating mechanism and a hookstick-operated lockout/tagout arm. Add 4.5 lbs (2 kg) to the total assembly weight.

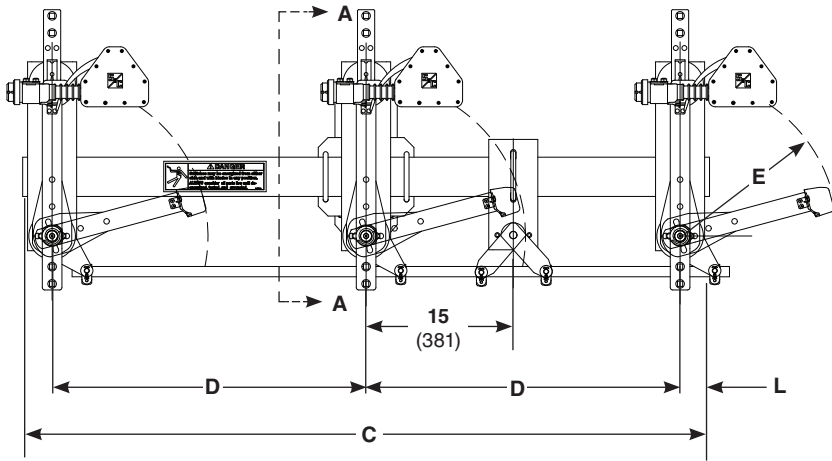
② Listed net weights are for the switch only and do not include the erection drawing components or crate.

● Switch has extra mounting-pole clearance.

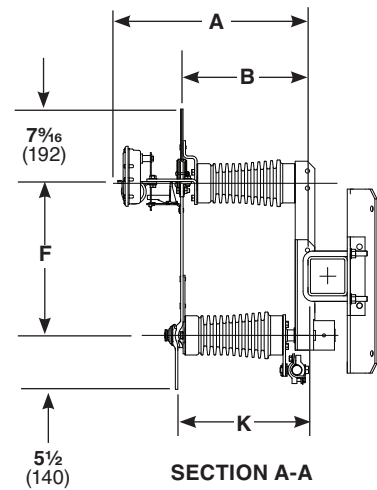
Vertical Mounting Configuration

Reciprocating and Hookstick Operating Mechanism

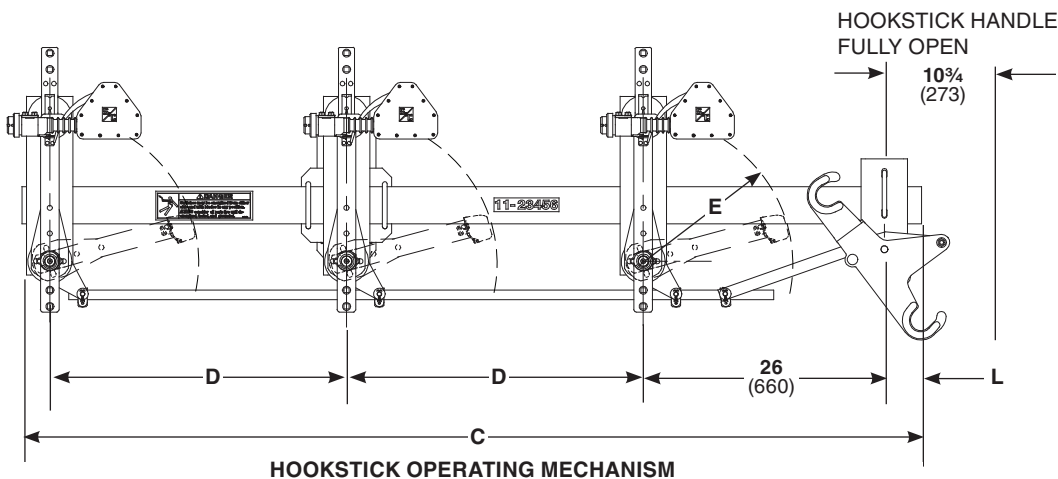
Dimensions in inches (mm)



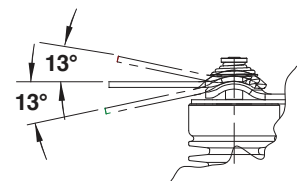
RECIPROCATING OPERATING MECHANISM



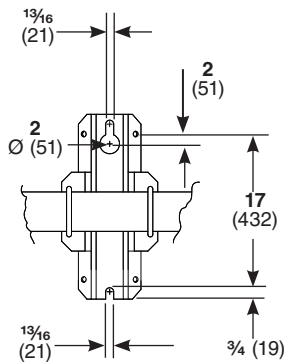
SECTION A-A



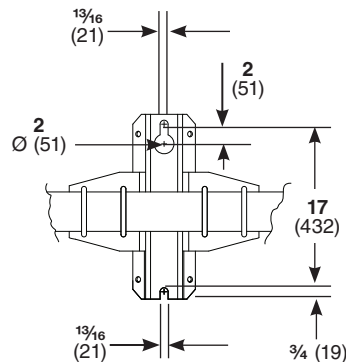
HOOKSTICK OPERATING MECHANISM



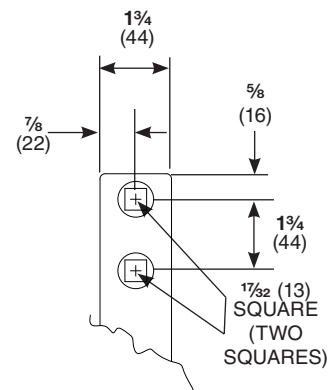
HINGE TERMINAL PAD ARTICULATING DETAIL



STANDARD MOUNTING BRACKET DETAIL



POLE BAND MOUNTING BRACKET DETAIL ("P1" AND "P2")



TERMINAL PAD DETAIL

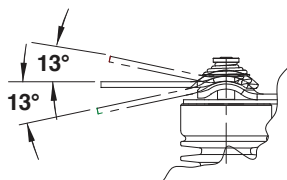
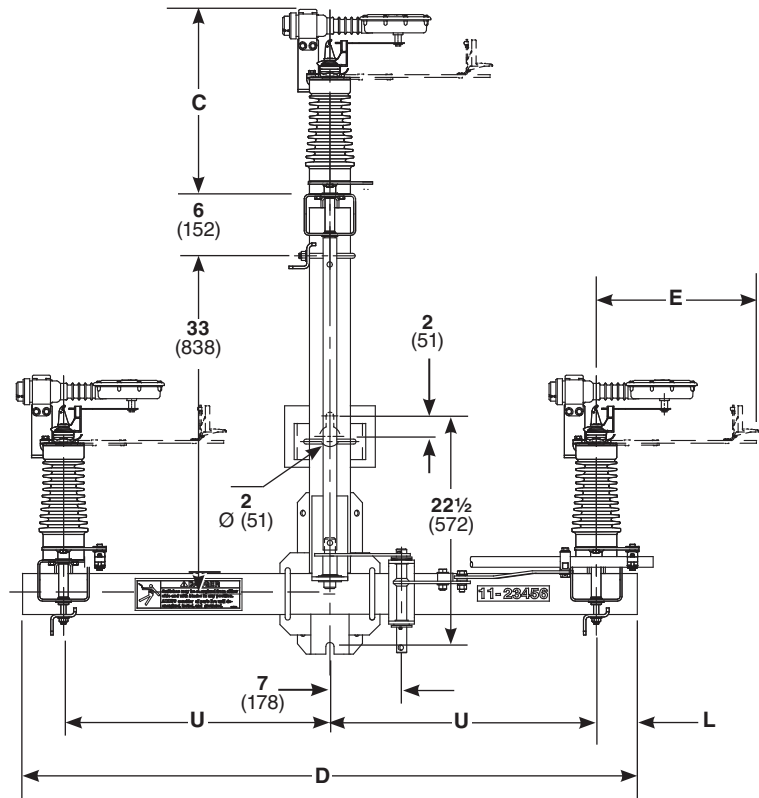
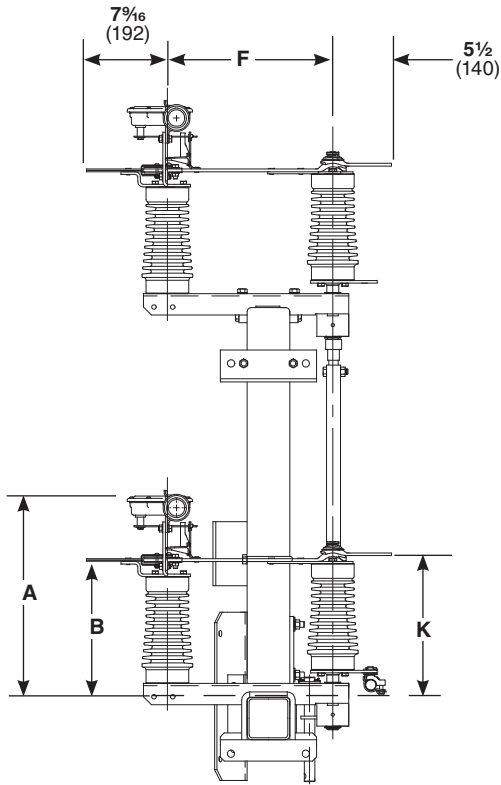
Insulator Material	Base Material	kV, Nom.	Catalog Number ^①	Dimensions in Inches (mm)								Net Weight, Lbs. (kg) ^②
				A	B	C	D	E	F	K	L	
Cypoxy	Steel	14.4	147512R4	16 ¹ / ₈ (410)	9 ³ / ₄ (248)	58 (1473)	26 (660)	13 ¹ / ₁₆ (332)	12 ³ / ₁₆ (310)	10 ¹ / ₄ (260)	3 (76)	231 (105)
			147512R4-H	16 ¹ / ₈ (410)	9 ³ / ₄ (248)	75 (1905)	26 (660)	13 ¹ / ₁₆ (332)	12 ³ / ₁₆ (310)	10 ¹ / ₄ (260)	3 (76)	230 (104)
		25	147513R4	19 ⁹ / ₁₆ (492)	13 (330)	75 (1905)	32 (813)	15 ⁷ / ₁₆ (403)	15 ¹ / ₂ (394)	13 ¹ / ₂ (343)	4 ¹ / ₂ (114)	256 (116)
			147513R4-H	19 ⁹ / ₁₆ (492)	13 (330)	88 (2235)	32 (813)	15 ⁷ / ₁₆ (403)	15 ¹ / ₂ (394)	13 ¹ / ₂ (343)	3 ¹ / ₂ (89)	250 (114)
		34.5	147514R4	28 ³ / ₁₆ (716)	20 ¹ / ₁₆ (525)	97 (2464)	44 (1118)	19 ¹ / ₈ (486)	19 (483)	21 ¹ / ₂ (546)	4 ¹ / ₂ (114)	411 (187)
			147514R4-H	28 ³ / ₁₆ (716)	20 ¹ / ₁₆ (525)	120 (3048)	44 (1118)	19 ¹ / ₈ (486)	19 (483)	21 ¹ / ₂ (546)	3 (76)	458 (208)
	Insulated	14.4	147532R4	16 ¹ / ₈ (410)	9 ³ / ₄ (248)	58 (1473)	26 (660)	13 ¹ / ₁₆ (332)	12 ³ / ₁₆ (310)	10 ¹ / ₄ (260)	3 (76)	198 (90)
			147532R4-H	16 ¹ / ₈ (410)	9 ³ / ₄ (248)	75 (1905)	26 (660)	13 ¹ / ₁₆ (332)	12 ³ / ₁₆ (310)	10 ¹ / ₄ (260)	3 (76)	223 (101)
		25	147533R4	19 ⁹ / ₁₆ (492)	13 (330)	75 (1905)	32 (813)	15 ⁷ / ₁₆ (403)	15 ¹ / ₂ (394)	13 ¹ / ₂ (343)	4 ¹ / ₂ (114)	211 (96)
			147533R4-H	19 ⁹ / ₁₆ (492)	13 (330)	88 (2235)	32 (813)	15 ⁷ / ₁₆ (403)	15 ¹ / ₂ (394)	13 ¹ / ₂ (343)	3 ¹ / ₂ (89)	225 (102)
		34.5	147534R4	28 ³ / ₁₆ (716)	20 ¹ / ₁₆ (525)	97 (2464)	44 (1118)	19 ¹ / ₈ (486)	19 (483)	21 ¹ / ₂ (546)	4 ¹ / ₂ (114)	338 (153)
			147534R4-H	28 ³ / ₁₆ (716)	20 ¹ / ₁₆ (525)	120 (3048)	44 (1118)	19 ¹ / ₈ (486)	19 (483)	21 ¹ / ₂ (546)	3 (76)	406 (184)
Porcelain	Steel	14.4	147512R4-SP	19 ⁹ / ₁₆ (492)	13 (330)	58 (1473)	26 (660)	13 ¹ / ₁₆ (332)	12 ³ / ₁₆ (310)	13 ¹ / ₂ (343)	3 (76)	306 (139)
			147512R4-HSP	19 ⁹ / ₁₆ (492)	13 (330)	75 (1905)	26 (660)	13 ¹ / ₁₆ (332)	12 ³ / ₁₆ (310)	13 ¹ / ₂ (343)	3 (76)	305 (138)
		25	147513R4-SP	23 ³ / ₁₆ (594)	17 (432)	75 (1905)	32 (813)	15 ⁷ / ₁₆ (403)	15 ¹ / ₂ (394)	17 ¹ / ₂ (445)	4 ¹ / ₂ (114)	385 (175)
			147513R4-HSP	23 ³ / ₁₆ (594)	17 (432)	88 (2235)	32 (813)	15 ⁷ / ₁₆ (403)	15 ¹ / ₂ (394)	17 ¹ / ₂ (445)	3 ¹ / ₂ (89)	379 (172)
		34.5	147514R4-SP	28 ³ / ₁₆ (716)	20 ¹ / ₁₆ (525)	97 (2464)	44 (1118)	19 ¹ / ₈ (486)	19 (483)	21 ¹ / ₂ (546)	4 ¹ / ₂ (114)	471 (214)
			147514R4-HSP	28 ³ / ₁₆ (716)	20 ¹ / ₁₆ (525)	120 (3048)	44 (1118)	19 ¹ / ₈ (486)	19 (483)	21 ¹ / ₂ (546)	4 ¹ / ₂ (114)	518 (235)
	Insulated	14.4	147532R4-SP	19 ⁹ / ₁₆ (492)	13 (330)	58 (1473)	26 (660)	13 ¹ / ₁₆ (332)	12 ³ / ₁₆ (310)	13 ¹ / ₂ (343)	3 (76)	272 (123)
			147532R4-HSP	19 ⁹ / ₁₆ (492)	13 (330)	75 (1905)	26 (660)	13 ¹ / ₁₆ (332)	12 ³ / ₁₆ (310)	13 ¹ / ₂ (343)	3 (76)	297 (135)
		25	147533R4-SP	23 ³ / ₁₆ (594)	17 (432)	75 (1905)	32 (813)	15 ⁷ / ₁₆ (403)	15 ¹ / ₂ (394)	17 ¹ / ₂ (445)	4 ¹ / ₂ (114)	340 (154)
			147533R4-HSP	23 ³ / ₁₆ (594)	17 (432)	88 (2235)	32 (813)	15 ⁷ / ₁₆ (403)	15 ¹ / ₂ (394)	17 ¹ / ₂ (445)	3 ¹ / ₂ (89)	354 (161)
		34.5	147534R4-SP	28 ³ / ₁₆ (716)	20 ¹ / ₁₆ (525)	97 (2464)	44 (1118)	19 ¹ / ₈ (486)	19 (483)	21 ¹ / ₂ (546)	4 ¹ / ₂ (114)	398 (181)
			147534R4-HSP	28 ³ / ₁₆ (716)	20 ¹ / ₁₆ (525)	120 (3048)	44 (1118)	19 ¹ / ₈ (486)	19 (483)	21 ¹ / ₂ (546)	3 (76)	466 (212)
Silicone	Steel	14.4	147512R4-K	19 ⁹ / ₁₆ (492)	13 (330)	58 (1473)	26 (660)	13 ¹ / ₁₆ (332)	12 ³ / ₁₆ (310)	13 ¹ / ₂ (343)	3 (76)	246 (112)
			147512R4-HK	19 ⁹ / ₁₆ (492)	13 (330)	75 (1905)	26 (660)	13 ¹ / ₁₆ (332)	12 ³ / ₁₆ (310)	13 ¹ / ₂ (343)	3 (76)	245 (111)
		25	147513R4-K	23 ³ / ₁₆ (594)	17 (432)	75 (1905)	32 (813)	15 ⁷ / ₁₆ (403)	15 ¹ / ₂ (394)	17 ¹ / ₂ (445)	4 ¹ / ₂ (114)	268 (122)
			147513R4-HK	23 ³ / ₁₆ (594)	17 (432)	88 (2235)	32 (813)	15 ⁷ / ₁₆ (403)	15 ¹ / ₂ (394)	17 ¹ / ₂ (445)	3 ¹ / ₂ (89)	262 (119)
		34.5	147514R4-K	28 ³ / ₁₆ (716)	20 ¹ / ₁₆ (525)	97 (2464)	44 (1118)	19 ¹ / ₈ (486)	19 (483)	21 ¹ / ₂ (546)	4 ¹ / ₂ (114)	339 (154)
			147514R4-HK	28 ³ / ₁₆ (716)	20 ¹ / ₁₆ (525)	120 (3048)	44 (1118)	19 ¹ / ₈ (486)	19 (483)	21 ¹ / ₂ (546)	3 (76)	386 (175)
	Insulated	14.4	147532R4-K	19 ⁹ / ₁₆ (492)	13 (330)	58 (1473)	26 (660)	13 ¹ / ₁₆ (332)	12 ³ / ₁₆ (310)	13 ¹ / ₂ (343)	3 (76)	212 (96)
			147532R4-HK	19 ⁹ / ₁₆ (492)	13 (330)	75 (1905)	26 (660)	13 ¹ / ₁₆ (332)	12 ³ / ₁₆ (310)	13 ¹ / ₂ (343)	3 (76)	237 (108)
		25	147533R4-K	23 ³ / ₁₆ (594)	17 (432)	75 (1905)	32 (813)	15 ⁷ / ₁₆ (403)	15 ¹ / ₂ (394)	17 ¹ / ₂ (445)	4 ¹ / ₂ (114)	223 (101)
			147533R4-HK	23 ³ / ₁₆ (594)	17 (432)	88 (2235)	32 (813)	15 ⁷ / ₁₆ (403)	15 ¹ / ₂ (394)	17 ¹ / ₂ (445)	3 ¹ / ₂ (89)	237 (108)
		34.5	147534R4-K	28 ³ / ₁₆ (716)	20 ¹ / ₁₆ (525)	97 (2464)	44 (1118)	19 ¹ / ₈ (486)	19 (483)	21 ¹ / ₂ (546)	4 ¹ / ₂ (114)	266 (121)
			147534R4-HK	28 ³ / ₁₆ (716)	20 ¹ / ₁₆ (525)	120 (3048)	44 (1118)	19 ¹ / ₈ (486)	19 (483)	21 ¹ / ₂ (546)	3 (76)	334 (152)

① Switches with catalog number suffix “-H2” include the hookstick operating mechanism and a hookstick-operated lockout/tagout arm. Add 4.5 lbs (2 kg.) to the total assembly weight.

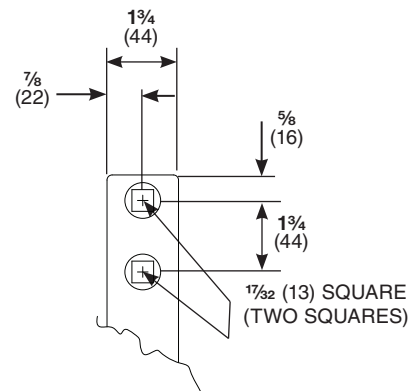
② Listed net weights are for the switch only, and do not include the erection drawing components or crate.

Triangular Mounting Configuration
Rotating Operating Mechanism

Dimensions in inches (mm)



**HINGE TERMINAL PAD
ARTICULATING DETAIL**

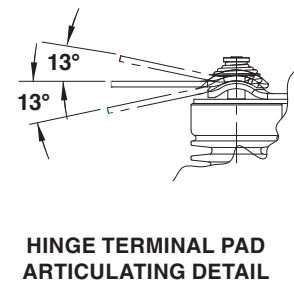
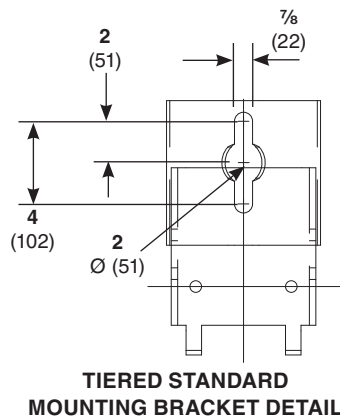
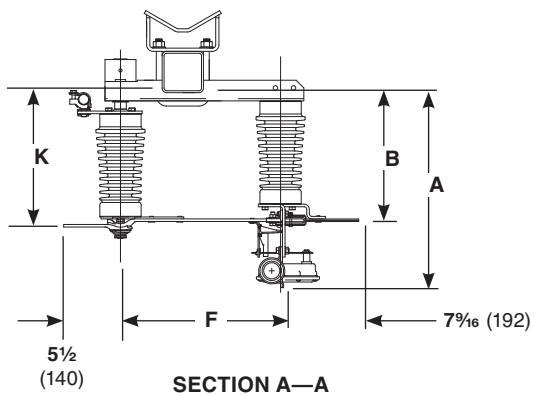
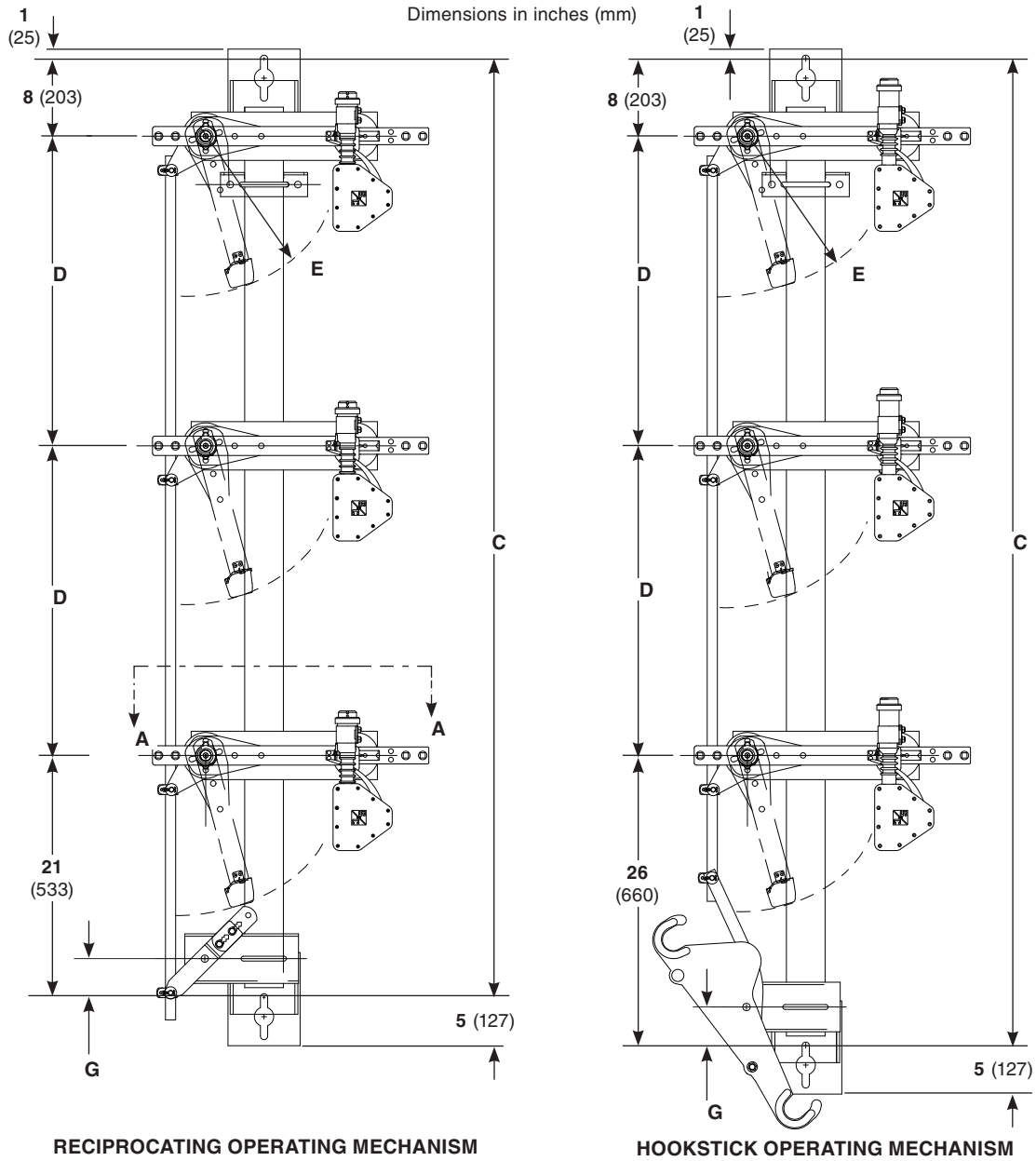


TERMINAL PAD DETAIL

Insulator Material	Base Material	kV, Nom.	Catalog Number	Dimensions in Inches (mm)									Net Weight, Lbs. (kg) ^①
				A	B	C	D	E	F	K	L	U	
Cypoxy	Steel	14.4	147712R4	16 $\frac{1}{8}$ (410)	9 $\frac{3}{4}$ (248)	14 $\frac{3}{4}$ (375)	58 (1473)	13 $\frac{1}{16}$ (332)	12 $\frac{3}{16}$ (310)	10 $\frac{1}{4}$ (260)	3 (76)	26 (660)	254 (115)
		25	147713R4	19 $\frac{3}{8}$ (492)	13 (330)	18 (457)	75 (1905)	15 $\frac{7}{8}$ (403)	15 $\frac{1}{2}$ (394)	13 $\frac{1}{2}$ (343)	4 $\frac{1}{2}$ (114)	33 (838)	280 (127)
Porcelain		14.4	147712R4-SP	19 $\frac{3}{8}$ (492)	13 (330)	18 (457)	58 (1473)	13 $\frac{1}{16}$ (332)	12 $\frac{3}{16}$ (310)	13 $\frac{1}{2}$ (343)	3 (76)	26 (660)	328 (149)
		25	147713R4-SP	23 $\frac{3}{8}$ (594)	17 (432)	22 (559)	75 (1905)	15 $\frac{7}{8}$ (403)	15 $\frac{1}{2}$ (394)	17 $\frac{1}{2}$ (445)	4 $\frac{1}{2}$ (114)	33 (838)	409 (186)
Silicone		14.4	147712R4-K	19 $\frac{3}{8}$ (492)	13 (330)	18 (457)	58 (1473)	13 $\frac{1}{16}$ (332)	12 $\frac{3}{16}$ (310)	13 $\frac{1}{2}$ (343)	3 (76)	26 (660)	268 (122)
		25	147713R4-K	23 $\frac{3}{8}$ (594)	17 (432)	22 (559)	75 (1905)	15 $\frac{7}{8}$ (403)	15 $\frac{1}{2}$ (394)	17 $\frac{1}{2}$ (445)	4 $\frac{1}{2}$ (114)	33 (838)	292 (133)

① Listed net weights are for the switch only, and do not include erection drawing components or crate.

Tiered-Outboard Mounting Configuration
 Reciprocating Operating Mechanism and Hookstick Operating Mechanism

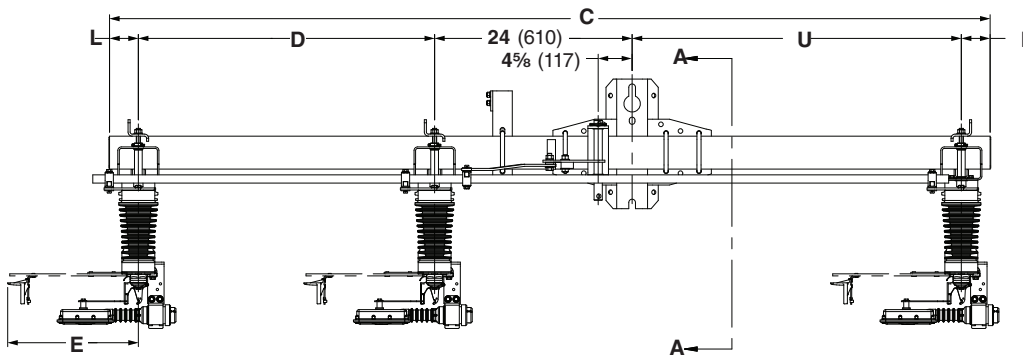


Insulator Material	Base Material	kV, Nom.	Catalog Number ^①	Dimensions in Inches (mm)								Net Weight, Lbs. (kg) ^②
				A	B	C	D	E	F	G	K	
Cypoxy	Steel	14.4	147812R4	16 $\frac{1}{8}$ (410)	9 $\frac{3}{4}$ (248)	84 (2134)	26 (660)	13 $\frac{1}{16}$ (332)	12 $\frac{3}{16}$ (310)	5 $\frac{1}{2}$ (140)	10 $\frac{1}{4}$ (260)	207 (94)
			147812R4-H	16 $\frac{1}{8}$ (410)	9 $\frac{3}{4}$ (248)	90 (2286)	26 (660)	13 $\frac{1}{16}$ (332)	12 $\frac{3}{16}$ (310)	3 (76)	10 $\frac{1}{4}$ (260)	231 (105)
		25	147813R4	19 $\frac{3}{8}$ (492)	13 (330)	97 (2464)	32 (813)	15 $\frac{7}{8}$ (403)	15 $\frac{1}{2}$ (394)	6 (152)	13 $\frac{1}{2}$ (343)	230 (104)
			147813R4-H	19 $\frac{3}{8}$ (410)	13 (330)	102 (2591)	32 (813)	15 $\frac{7}{8}$ (403)	15 $\frac{1}{2}$ (394)	3 $\frac{1}{2}$ (89)	13 $\frac{1}{2}$ (343)	250 (114)
		34.5	147814R4	28 $\frac{3}{16}$ (716)	20 $\frac{1}{16}$ (525)	121 (3073)	44 (1118)	19 $\frac{1}{8}$ (486)	19 (483)	5 $\frac{1}{2}$ (140)	21 $\frac{1}{2}$ (546)	441 (200)
			147814R4-H	28 $\frac{3}{16}$ (716)	20 $\frac{1}{16}$ (525)	126 (3200)	44 (1118)	19 $\frac{1}{8}$ (486)	19 (483)	6 (152)	21 $\frac{1}{2}$ (546)	458 (208)
	Insulated	14.4	147832R4	16 $\frac{1}{8}$ (410)	9 $\frac{3}{4}$ (248)	85 (2159)	26 (660)	13 $\frac{1}{16}$ (332)	12 $\frac{3}{16}$ (310)	5 $\frac{1}{2}$ (140)	10 $\frac{1}{4}$ (260)	162 (74)
			147833R4	19 $\frac{3}{8}$ (492)	9 $\frac{3}{4}$ (248)	90 (2286)	26 (660)	13 $\frac{1}{16}$ (332)	12 $\frac{3}{16}$ (310)	3 (76)	10 $\frac{1}{4}$ (260)	223 (101)
		25	147832R4-H	16 $\frac{1}{8}$ (410)	13 (330)	97 (2464)	32 (813)	15 $\frac{7}{8}$ (403)	15 $\frac{1}{2}$ (394)	6 (152)	13 $\frac{1}{2}$ (343)	175 (79)
			147833R4-H	19 $\frac{3}{8}$ (492)	13 (330)	102 (2591)	32 (813)	15 $\frac{7}{8}$ (403)	15 $\frac{1}{2}$ (394)	3 $\frac{1}{2}$ (89)	13 $\frac{1}{2}$ (343)	225 (102)
		34.5	147834R4	28 $\frac{3}{16}$ (716)	20 $\frac{1}{16}$ (525)	121 (3073)	44 (1118)	19 $\frac{1}{8}$ (486)	19 (483)	5 $\frac{1}{2}$ (140)	21 $\frac{1}{2}$ (546)	349 (158)
			147834R4-H	28 $\frac{3}{16}$ (716)	20 $\frac{1}{16}$ (525)	126 (3200)	44 (1118)	19 $\frac{1}{8}$ (486)	19 (483)	6 (152)	21 $\frac{1}{2}$ (546)	361 (164)
Porcelain	Steel	14.4	147812R4-SP	19 $\frac{3}{8}$ (492)	13 (330)	84 (2134)	26 (660)	13 $\frac{1}{16}$ (332)	12 $\frac{3}{16}$ (310)	5 $\frac{1}{2}$ (140)	13 $\frac{1}{2}$ (343)	282 (128)
			147812R4-HSP	19 $\frac{3}{8}$ (492)	13 (330)	90 (2286)	26 (660)	13 $\frac{1}{16}$ (332)	12 $\frac{3}{16}$ (310)	3 (76)	13 $\frac{1}{2}$ (343)	305 (138)
		25	147813R4-SP	23 $\frac{3}{8}$ (594)	17 (432)	97 (2464)	32 (813)	15 $\frac{7}{8}$ (403)	15 $\frac{1}{2}$ (394)	6 (152)	17 $\frac{1}{2}$ (445)	359 (163)
			147813R4-HSP	23 $\frac{3}{8}$ (594)	17 (432)	102 (2591)	32 (813)	15 $\frac{7}{8}$ (403)	15 $\frac{1}{2}$ (394)	3 $\frac{1}{2}$ (89)	17 $\frac{1}{2}$ (445)	379 (172)
		34.5	147814R4SP	28 $\frac{3}{16}$ (716)	20 $\frac{1}{16}$ (525)	121 (3073)	44 (1118)	19 $\frac{1}{8}$ (486)	19 (483)	5 $\frac{1}{2}$ (140)	21 $\frac{1}{2}$ (546)	501 (227)
			147814R4HSP	23 $\frac{3}{8}$ (594)	20 $\frac{1}{16}$ (525)	126 (3200)	44 (1118)	19 $\frac{1}{8}$ (486)	19 (483)	6 (152)	21 $\frac{1}{2}$ (546)	518 (235)
	Insulated	14.4	147832R4-SP	19 $\frac{3}{8}$ (492)	13 (330)	85 (2159)	26 (660)	13 $\frac{1}{16}$ (332)	12 $\frac{3}{16}$ (310)	5 $\frac{1}{2}$ (140)	13 $\frac{1}{2}$ (343)	237 (108)
			147833R4-SP	19 $\frac{3}{8}$ (492)	13 (330)	90 (2286)	26 (66)	13 $\frac{1}{16}$ (332)	12 $\frac{3}{16}$ (310)	3 (76)	13 $\frac{1}{2}$ (343)	297 (135)
		25	147832R4-HSP	23 $\frac{3}{8}$ (594)	17 (432)	97 (2464)	32 (813)	15 $\frac{7}{8}$ (403)	15 $\frac{1}{2}$ (394)	6 (152)	17 $\frac{1}{2}$ (445)	304 (138)
			147833R4-HSP	23 $\frac{3}{8}$ (594)	17 (432)	102 (2591)	32 (813)	15 $\frac{7}{8}$ (403)	15 $\frac{1}{2}$ (394)	3 $\frac{1}{2}$ (89)	17 $\frac{1}{2}$ (445)	354 (161)
		34.5	147834R4-SP	28 $\frac{3}{16}$ (716)	20 $\frac{1}{16}$ (525)	121 (3073)	44 (1118)	19 $\frac{1}{8}$ (486)	19 (483)	5 $\frac{1}{2}$ (140)	21 $\frac{1}{2}$ (546)	409 (186)
			147834R4-HSP	28 $\frac{3}{16}$ (716)	20 $\frac{1}{16}$ (525)	126 (3200)	44 (1118)	19 $\frac{1}{8}$ (486)	19 (483)	6 (152)	21 $\frac{1}{2}$ (546)	421 (191)
Silicone	Steel	14.4	147812R4-K	19 $\frac{3}{8}$ (492)	13 (330)	84 (2134)	26 (660)	13 $\frac{1}{16}$ (332)	12 $\frac{3}{16}$ (310)	5 $\frac{1}{2}$ (140)	13 $\frac{1}{2}$ (343)	222 (101)
			147812R4-K	19 $\frac{3}{8}$ (492)	13 (330)	90 (2286)	26 (660)	13 $\frac{1}{16}$ (332)	12 $\frac{3}{16}$ (310)	3 (76)	13 $\frac{1}{2}$ (343)	245 (111)
		25	147813R4-K	23 $\frac{3}{8}$ (594)	17 (432)	97 (2464)	32 (813)	15 $\frac{7}{8}$ (403)	15 $\frac{1}{2}$ (394)	6 (152)	17 $\frac{1}{2}$ (445)	242 (110)
			147813R4-HK	23 $\frac{3}{8}$ (594)	17 (432)	102 (2591)	32 (813)	15 $\frac{7}{8}$ (403)	15 $\frac{1}{2}$ (394)	3 $\frac{1}{2}$ (89)	17 $\frac{1}{2}$ (445)	262 (119)
		34.5	147814R4-K	28 $\frac{3}{16}$ (716)	20 $\frac{1}{16}$ (525)	121 (3073)	44 (1118)	19 $\frac{1}{8}$ (486)	19 (483)	5 $\frac{1}{2}$ (140)	21 $\frac{1}{2}$ (546)	369 (168)
			147814R4-HK	28 $\frac{3}{16}$ (716)	20 $\frac{1}{16}$ (525)	126 (3200)	44 (1118)	19 $\frac{1}{8}$ (486)	19 (483)	6 (152)	21 $\frac{1}{2}$ (546)	386 (175)
	Insulated	14.4	147832R4-K	19 $\frac{3}{8}$ (492)	13 (330)	84 (2134)	26 (660)	13 $\frac{1}{16}$ (332)	12 $\frac{3}{16}$ (310)	5 $\frac{1}{2}$ (140)	13 $\frac{1}{2}$ (343)	177 (80)
			147832R4-HK	19 $\frac{3}{8}$ (492)	13 (330)	90 (2286)	26 (660)	13 $\frac{1}{16}$ (332)	12 $\frac{3}{16}$ (310)	3 (76)	13 $\frac{1}{2}$ (343)	237 (108)
		25	147833R4-K	23 $\frac{3}{8}$ (594)	17 (432)	97 (2464)	32 (813)	15 $\frac{7}{8}$ (403)	15 $\frac{1}{2}$ (394)	6 (152)	17 $\frac{1}{2}$ (445)	187 (85)
			147833R4-HK	23 $\frac{3}{8}$ (594)	17 (432)	102 (2591)	32 (813)	15 $\frac{7}{8}$ (403)	15 $\frac{1}{2}$ (394)	3 $\frac{1}{2}$ (89)	17 $\frac{1}{2}$ (445)	237 (108)
		34.5	147834R4-K	28 $\frac{3}{16}$ (716)	20 $\frac{1}{16}$ (525)	121 (3073)	44 (1118)	19 $\frac{1}{8}$ (486)	19 (483)	5 $\frac{1}{2}$ (140)	21 $\frac{1}{2}$ (546)	277 (126)
			147834R4-HK	28 $\frac{3}{16}$ (716)	20 $\frac{1}{16}$ (525)	126 (3200)	44 (1118)	19 $\frac{1}{8}$ (486)	19 (483)	6 (152)	21 $\frac{1}{2}$ (546)	289 (131)

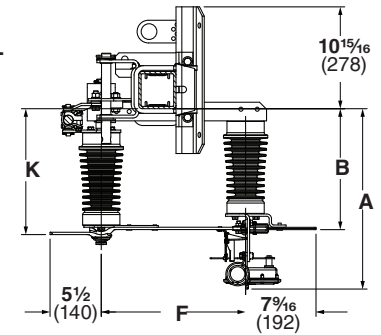
① Switches with catalog number suffix “-H2” include the hookstick operating mechanism and a hookstick-operated lockout/tagout arm. Add 4.5 lbs (2 kg.) to the total assembly weight.

② Listed net weights are for the switch only and do not include the erection drawing components or crate.

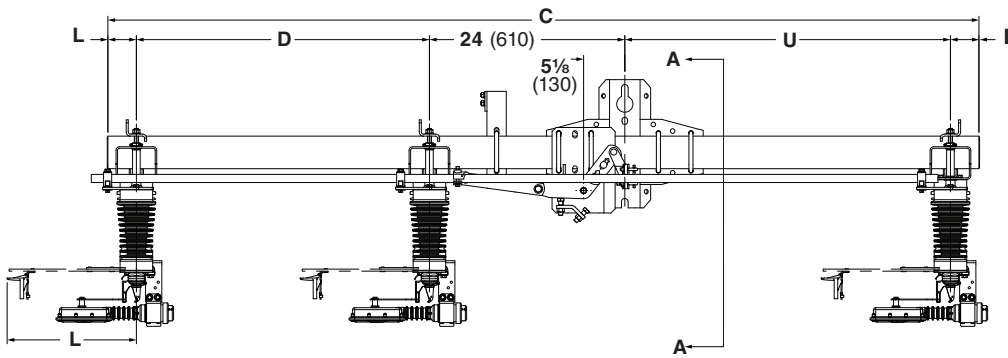
Inverted Mounting Configuration
Rotating and Reciprocating Operating Mechanism



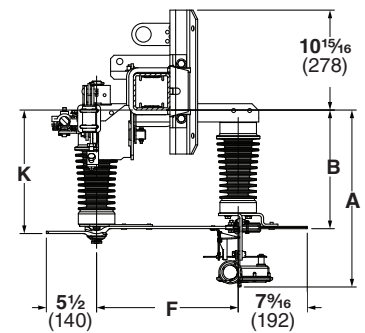
ROTATING OPERATING MECHANISM



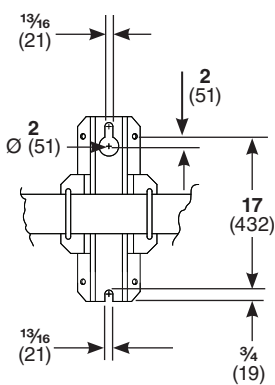
SECTION A-A



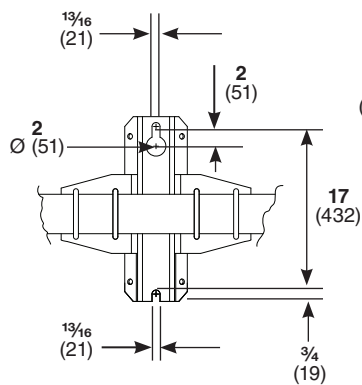
RECIPROCATING OPERATING MECHANISM



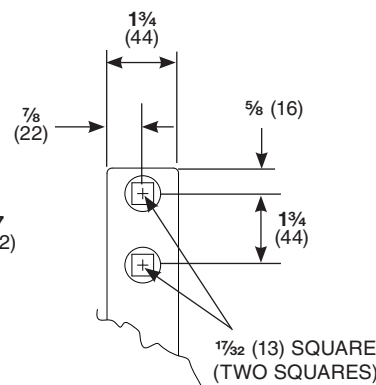
SECTION A-A



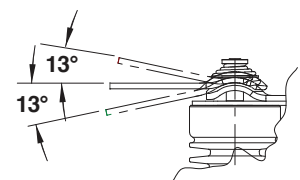
STANDARD MOUNTING BRACKET DETAIL



POLE BAND MOUNTING BRACKET DETAIL (-P1 AND -P2)



TERMINAL PAD DETAIL

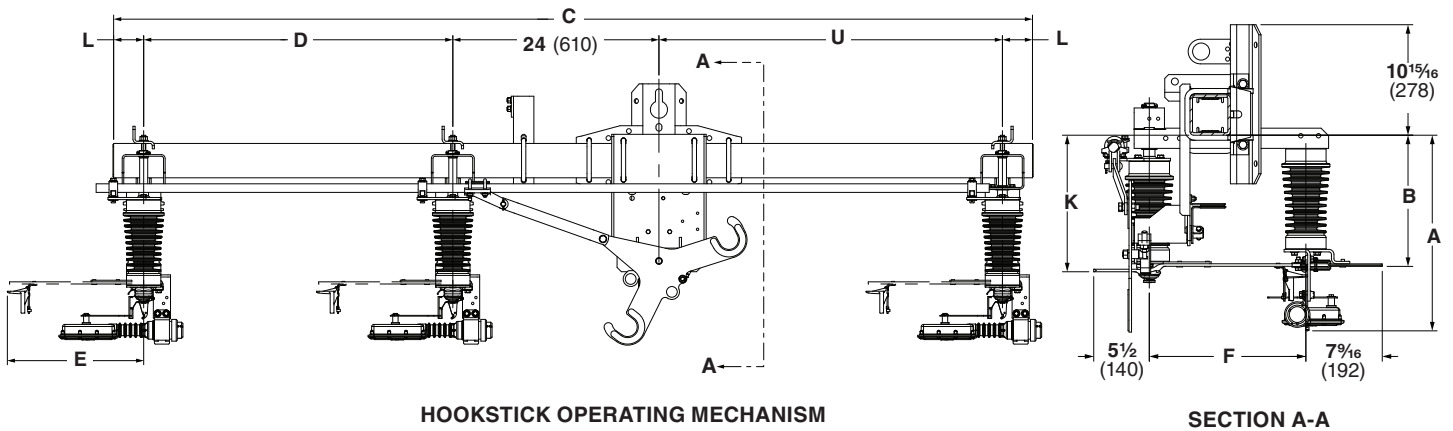


HINGE TERMINAL PAD ARTICULATING DETAIL

Insulator Material	Base Material	kV, Nom.	Catalog Number	Dimensions in Inches (mm)									Net Weight, Lbs. (kg)①
				A	B	C	D	E	F	K	L	U	
Cypoxy	Steel	14.4	147212R4	16 ¹ / ₈ (410)	9 ³ / ₄ (248)	97 (2464)	31 (787)	13 ³ / ₁₆ (332)	12 ³ / ₁₆ (310)	10 ¹ / ₄ (260)	3 (76)	36 (914)	245 (111)
			147912R4	16 ¹ / ₈ (410)	9 ³ / ₄ (248)	97 (2464)	31 (787)	13 ³ / ₁₆ (332)	12 ³ / ₁₆ (310)	10 ¹ / ₄ (260)	3 (76)	36 (914)	250 (114)
		25	147213R4	19 ³ / ₈ (492)	13 (330)	107 (2718)	36 (914)	15 ⁷ / ₈ (403)	15 ¹ / ₂ (394)	13 ¹ / ₂ (343)	3 ¹ / ₂ (89)	40 (1016)	261 (118)
			147913R4	19 ³ / ₈ (492)	13 (330)	107 (2718)	36 (914)	15 ⁷ / ₈ (403)	15 ¹ / ₂ (394)	13 ¹ / ₂ (343)	3 ¹ / ₂ (89)	40 (1016)	266 (121)
		34.5	147214R4	28 ³ / ₁₆ (716)	20 ¹ / ₁₆ (525)	120 (3048)	44 (1118)	19 ¹ / ₈ (486)	19 (483)	21 ¹ / ₂ (546)	4 (102)	44 (1118)	440 (200)
			147914R4	28 ³ / ₁₆ (716)	20 ¹ / ₁₆ (525)	120 (3048)	44 (1118)	19 ¹ / ₈ (486)	19 (483)	21 ¹ / ₂ (546)	4 (102)	44 (1118)	452 (205)
	Insulated	14.4	147232R4	16 ¹ / ₈ (410)	9 ³ / ₄ (248)	97 (2464)	31 (787)	13 ³ / ₁₆ (332)	12 ³ / ₁₆ (310)	10 ¹ / ₄ (260)	3 (76)	36 (914)	238 (108)
			147932R4	16 ¹ / ₈ (410)	9 ³ / ₄ (248)	97 (2464)	31 (787)	13 ³ / ₁₆ (332)	12 ³ / ₁₆ (310)	10 ¹ / ₄ (260)	3 (76)	36 (914)	243 (110)
		25	147233R4	19 ³ / ₈ (492)	13 (330)	107 (2718)	36 (914)	15 ⁷ / ₈ (403)	15 ¹ / ₂ (394)	13 ¹ / ₂ (343)	3 ¹ / ₂ (89)	40 (1016)	250 (114)
			147933R4	19 ³ / ₈ (492)	13 (330)	107 (2718)	36 (914)	15 ⁷ / ₈ (403)	15 ¹ / ₂ (394)	13 ¹ / ₂ (343)	3 ¹ / ₂ (89)	40 (1016)	255 (116)
		34.5	147234R4	28 ³ / ₁₆ (716)	20 ¹ / ₁₆ (525)	120 (3048)	44 (1118)	19 ¹ / ₈ (486)	19 (483)	21 ¹ / ₂ (546)	4 (102)	44 (1118)	347 (158)
			147934R4	28 ³ / ₁₆ (716)	20 ¹ / ₁₆ (525)	120 (3048)	44 (1118)	19 ¹ / ₈ (486)	19 (483)	21 ¹ / ₂ (546)	4 (102)	44 (1118)	360 (163)
Porcelain	Steel	14.4	147212R4-SP	19 ³ / ₈ (492)	13 (330)	97 (2464)	31 (787)	13 ³ / ₁₆ (332)	12 ³ / ₁₆ (310)	13 ¹ / ₂ (343)	3 (76)	36 (914)	319 (145)
			147912R4-SP	19 ³ / ₈ (492)	13 (330)	97 (2464)	31 (787)	13 ³ / ₁₆ (332)	12 ³ / ₁₆ (310)	13 ¹ / ₂ (343)	3 (76)	36 (914)	324 (147)
		25	147213R4-SP	23 ³ / ₈ (594)	17 (432)	107 (2718)	36 (914)	15 ⁷ / ₈ (403)	15 ¹ / ₂ (394)	17 ¹ / ₂ (445)	3 ¹ / ₂ (89)	40 (1016)	390 (177)
			147913R4-SP	23 ³ / ₈ (594)	17 (432)	107 (2718)	36 (914)	15 ⁷ / ₈ (403)	15 ¹ / ₂ (394)	17 ¹ / ₂ (445)	3 ¹ / ₂ (89)	40 (1016)	395 (179)
		34.5	147214R4-SP	28 ³ / ₁₆ (716)	20 ¹ / ₁₆ (525)	120 (3048)	44 (1118)	19 ¹ / ₈ (486)	19 (483)	21 ¹ / ₂ (546)	4 (102)	44 (1118)	500 (227)
			147914R4-SP	28 ³ / ₁₆ (716)	20 ¹ / ₁₆ (525)	120 (3048)	44 (1118)	19 ¹ / ₈ (486)	19 (483)	21 ¹ / ₂ (546)	4 (102)	44 (1118)	512 (232)
	Insulated	14.4	147232R4-SP	19 ³ / ₈ (492)	13 (330)	97 (2464)	31 (787)	13 ³ / ₁₆ (332)	12 ³ / ₁₆ (310)	13 ¹ / ₂ (343)	3 (76)	36 (914)	312 (142)
			147932R4-SP	19 ³ / ₈ (492)	13 (330)	97 (2464)	31 (787)	13 ³ / ₁₆ (332)	12 ³ / ₁₆ (310)	13 ¹ / ₂ (343)	3 (76)	36 (914)	317 (144)
		25	147233R4-SP	23 ³ / ₈ (594)	17 (432)	107 (2718)	36 (914)	15 ⁷ / ₈ (403)	15 ¹ / ₂ (394)	17 ¹ / ₂ (445)	3 ¹ / ₂ (89)	40 (1016)	379 (172)
			147933R4-SP	23 ³ / ₈ (594)	17 (432)	107 (2718)	36 (914)	15 ⁷ / ₈ (403)	15 ¹ / ₂ (394)	17 ¹ / ₂ (445)	3 ¹ / ₂ (89)	40 (1016)	384 (174)
		34.5	147234R4-SP	28 ³ / ₁₆ (716)	20 ¹ / ₁₆ (525)	120 (3048)	44 (1118)	19 ¹ / ₈ (486)	19 (483)	21 ¹ / ₂ (546)	4 (102)	44 (1118)	407 (185)
			147934R4-SP	28 ³ / ₁₆ (716)	20 ¹ / ₁₆ (525)	120 (3048)	44 (1118)	19 ¹ / ₈ (486)	19 (483)	21 ¹ / ₂ (546)	4 (102)	44 (1118)	420 (191)
Silicone	Steel	14.4	147212R4-K	19 ³ / ₈ (492)	13 (330)	97 (2464)	31 (787)	13 ³ / ₁₆ (332)	12 ³ / ₁₆ (310)	13 ¹ / ₂ (343)	3 (76)	36 (914)	259 (118)
			147912R4-K	19 ³ / ₈ (492)	13 (330)	97 (2464)	31 (787)	13 ³ / ₁₆ (332)	12 ³ / ₁₆ (310)	13 ¹ / ₂ (343)	3 (76)	36 (914)	264 (120)
		25	147213R4-K	23 ³ / ₈ (594)	17 (432)	107 (2718)	36 (914)	15 ⁷ / ₈ (403)	15 ¹ / ₂ (394)	17 ¹ / ₂ (445)	3 ¹ / ₂ (89)	40 (1016)	273 (124)
			147913R4-K	23 ³ / ₈ (594)	17 (432)	107 (2718)	36 (914)	15 ⁷ / ₈ (403)	15 ¹ / ₂ (394)	17 ¹ / ₂ (445)	3 ¹ / ₂ (89)	40 (1016)	278 (126)
		34.5	147214R4-K	28 ³ / ₁₆ (716)	20 ¹ / ₁₆ (525)	120 (3048)	44 (1118)	19 ¹ / ₈ (486)	19 (483)	21 ¹ / ₂ (546)	4 (102)	44 (1118)	368 (167)
			147914R4-K	28 ³ / ₁₆ (716)	20 ¹ / ₁₆ (525)	120 (3048)	44 (1118)	19 ¹ / ₈ (486)	19 (483)	21 ¹ / ₂ (546)	4 (102)	44 (1118)	380 (173)
	Insulated	14.4	147232R4-K	19 ³ / ₈ (492)	13 (330)	97 (2464)	31 (787)	13 ³ / ₁₆ (332)	12 ³ / ₁₆ (310)	13 ¹ / ₂ (343)	3 (76)	36 (914)	252 (114)
			147932R4-K	19 ³ / ₈ (492)	13 (330)	97 (2464)	31 (787)	13 ³ / ₁₆ (332)	12 ³ / ₁₆ (310)	13 ¹ / ₂ (343)	3 (76)	36 (914)	257 (117)
		25	147233R4-K	23 ³ / ₈ (594)	17 (432)	107 (2718)	36 (914)	15 ⁷ / ₈ (403)	15 ¹ / ₂ (394)	17 ¹ / ₂ (445)	3 ¹ / ₂ (89)	40 (1016)	262 (119)
			147933R4-K	23 ³ / ₈ (594)	17 (432)	107 (2718)	36 (914)	15 ⁷ / ₈ (403)	15 ¹ / ₂ (394)	17 ¹ / ₂ (445)	3 ¹ / ₂ (89)	40 (1016)	267 (121)
		34.5	147234R4-K	28 ³ / ₁₆ (716)	20 ¹ / ₁₆ (525)	120 (3048)	44 (1118)	19 ¹ / ₈ (486)	19 (483)	21 ¹ / ₂ (546)	4 (102)	44 (1118)	275 (125)
			147934R4-K	28 ³ / ₁₆ (716)	20 ¹ / ₁₆ (525)	120 (3048)	44 (1118)	19 ¹ / ₈ (486)	19 (483)	21 ¹ / ₂ (546)	4 (102)	44 (1118)	288 (131)

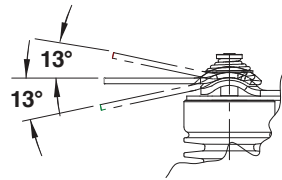
① Listed net weights are for the switch only, and do not include the erection drawing components or crate.

Inverted Mounting Configuration
Hookstick Operating Mechanism

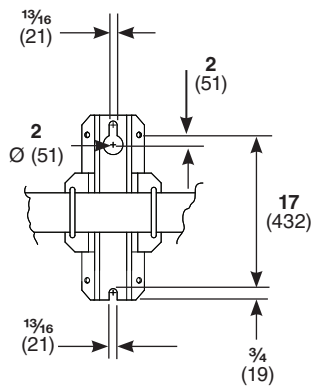


HOOKSTICK OPERATING MECHANISM

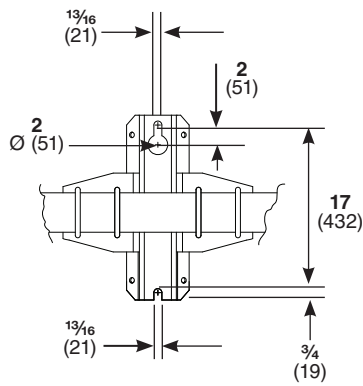
SECTION A-A



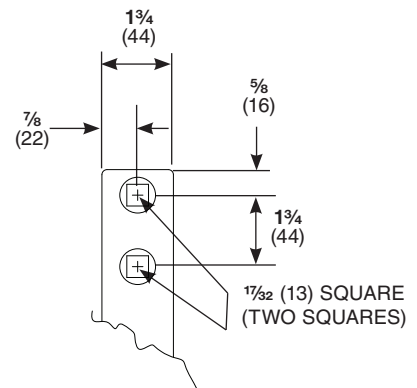
**HINGE TERMINAL PAD
ARTICULATING DETAIL**



**STANDARD MOUNTING
BRACKET DETAIL**



**POLE BANDMOUNTING
BRACKET DETAIL (-P1 AND -P2)**



**TERMINAL
PAD DETAIL**

Insulator Material	Base Material	kV, Nom.	Catalog Number ^①	Dimensions in Inches (mm)									Net Weight, Lbs. (kg) ^②
				A	B	C	D	E	F	K	L	U	
Cypoxy	Steel	14.4	147212R4-H	16 ¹ / ₈ (410)	9 ³ / ₄ (248)	97 (2464)	31 (787)	13 ¹ / ₁₆ (332)	12 ³ / ₁₆ (310)	10 ¹ / ₄ (260)	3 (76)	36 (914)	245 (111)
		25	147213R4-H	19 ³ / ₈ (492)	13 (330)	107 (2718)	36 (914)	15 ⁷ / ₈ (403)	15 ¹ / ₂ (394)	13 ¹ / ₂ (343)	3 ¹ / ₂ (89)	40 (1016)	261 (118)
		34.5	147214R4-H	28 ³ / ₁₆ (716)	20 ¹ / ₁₆ (525)	126 (3200)	44 (1118)	19 ¹ / ₈ (486)	19 (483)	21 ¹ / ₂ (546)	4 (102)	50 (1270)	478 (217)
	Insulated	14.4	147232R4-H	16 ¹ / ₈ (410)	9 ³ / ₄ (248)	97 (2464)	31 (787)	13 ¹ / ₁₆ (332)	12 ³ / ₁₆ (310)	10 ¹ / ₄ (260)	3 (76)	36 (914)	238 (108)
		25	147233R4-H	19 ³ / ₈ (492)	13 (330)	107 (2718)	36 (914)	15 ⁷ / ₈ (403)	15 ¹ / ₂ (394)	13 ¹ / ₂ (343)	3 ¹ / ₂ (89)	40 (1016)	250 (114)
		34.5	147234R4-H	28 ³ / ₁₆ (716)	20 ¹ / ₁₆ (525)	126 (3200)	44 (1118)	19 ¹ / ₈ (486)	19 (483)	21 ¹ / ₂ (546)	4 (102)	50 (1270)	380 (173)
Porcelain	Steel	14.4	147212R4-HSP	19 ³ / ₈ (492)	13 (330)	97 (2464)	31 (787)	13 ¹ / ₁₆ (332)	12 ³ / ₁₆ (310)	13 ¹ / ₂ (343)	3 (76)	36 (914)	319 (145)
		25	147213R4-HSP	23 ³ / ₈ (594)	17 (432)	107 (2718)	36 (914)	15 ⁷ / ₈ (403)	15 ¹ / ₂ (394)	17 ¹ / ₂ (445)	3 ¹ / ₂ (89)	40 (1016)	390 (177)
		34.5	147214R4-HSP	28 ³ / ₁₆ (716)	20 ¹ / ₁₆ (525)	126 (3200)	44 (1118)	19 ¹ / ₈ (486)	19 (483)	21 ¹ / ₂ (546)	4 (102)	50 (1270)	538 (244)
	Insulated	14.4	147232R4-HSP	19 ³ / ₈ (492)	13 (330)	97 (2464)	31 (787)	13 ¹ / ₁₆ (332)	12 ³ / ₁₆ (310)	13 ¹ / ₂ (343)	3 (76)	36 (914)	312 (142)
		25	147233R4-HSP	23 ³ / ₈ (594)	17 (432)	107 (2718)	36 (914)	15 ⁷ / ₈ (403)	15 ¹ / ₂ (394)	17 ¹ / ₂ (445)	3 ¹ / ₂ (89)	40 (1016)	379 (172)
		34.5	147234R4-HSP	28 ³ / ₁₆ (716)	20 ¹ / ₁₆ (525)	126 (3200)	44 (1118)	19 ¹ / ₈ (486)	19 (483)	21 ¹ / ₂ (546)	4 (102)	50 (1270)	440 (200)
Silicone	Steel	14.4	147212R4-HK	19 ³ / ₈ (492)	13 (330)	97 (2464)	31 (787)	13 ¹ / ₁₆ (332)	12 ³ / ₁₆ (310)	13 ¹ / ₂ (343)	3 (76)	36 (914)	259 (118)
		25	147213R4-HK	23 ³ / ₈ (594)	17 (432)	107 (2718)	36 (914)	15 ⁷ / ₈ (403)	15 ¹ / ₂ (394)	17 ¹ / ₂ (445)	3 ¹ / ₂ (89)	40 (1016)	273 (124)
		34.5	147214R4-HK	28 ³ / ₁₆ (716)	20 ¹ / ₁₆ (525)	126 (3200)	44 (1118)	19 ¹ / ₈ (486)	19 (483)	21 ¹ / ₂ (546)	4 (102)	50 (1270)	406 (184)
	Insulated	14.4	147232R4-HK	19 ³ / ₈ (492)	13 (330)	97 (2464)	31 (787)	13 ¹ / ₁₆ (332)	12 ³ / ₁₆ (310)	13 ¹ / ₂ (343)	3 (76)	36 (914)	252 (114)
		25	147233R4-HK	23 ³ / ₈ (594)	17 (432)	107 (2718)	36 (914)	15 ⁷ / ₈ (403)	15 ¹ / ₂ (394)	17 ¹ / ₂ (445)	3 ¹ / ₂ (89)	40 (1016)	262 (119)
		34.5	147234R4-HK	28 ³ / ₁₆ (716)	20 ¹ / ₁₆ (525)	126 (3200)	44 (1118)	19 ¹ / ₈ (486)	19 (483)	21 ¹ / ₂ (546)	4 (102)	50 (1270)	308 (140)

① Switches with catalog number suffix “-H2” include the hookstick operating mechanism and a hookstick-operated lockout/tagout arm. Add 4.5 lbs (2 kg.) to the total assembly weight.

② Listed net weights are for the switch only, and do not include the erection drawing components or crate.